



EDIFICE Message Implementation Guideline Authorisation Status

ATHSTS Issue EDAS10

Endorsed on 15 June 2011

To be proposed as UN/EDIFACT Standard Message

Copyright ©EDIFICE 2011

All rights reserved. No part of this publication may be reproduced or transmitted in any form or by any means without prior permission of EDIFICE.

Notwithstanding the fact that the utmost care has been observed in the collecting, drawing up and formulating of data, EDIFICE can under no circumstances be held liable for errors, omissions or misinterpretations as a result of the information compiled in the guidelines.

EDIFICE
The European Network for B2B Integration in High Tech industries
EDIFICE secretariat
Dora Cresens
Tiensestraat 12
B-3320 Hoegaarden
Belgium
Tel: +32 475 85 40 39
Email: Dora.Cresens@edifice.org

TABLE OF CONTENTS

COMPARISON TO PREVIOUS ISSUE 3
EDIFICE FUNCTIONAL DEFINITION 5
REFERENCES 8
EXPLANATORY NOTES 8
MESSAGE STRUCTURE CHART..... 9
BRANCHING DIAGRAM 10
SEGMENT DESCRIPTION 12
SEGMENT DETAILS 14
EXAMPLES 30

COMPARISON TO PREVIOUS ISSUE

Issue EDAS10 of 1 June 2011: Upgrade to UN/EDIFACT Directory D.10A

EDIFICE recommends to make use of EDIFACT code lists.

1. Where possible the earlier references to UN/ECE Recommendations were removed and EDIFACT qualifiers are used instead.
2. A number of EDIFICE defined qualifiers were replaced with relevant EDIFACT qualifiers or were completely removed when not in use. In some cases new EDIFICE qualifiers were defined since the old qualifiers have been included in the EDIFACT code list with a different definition

The summary of changes in this MIG is listed below:

Place	EDIFICE Code (*)	Replaced with EDIFACT code/EDIFICE code (*)/Removed/Added
All DTM-2005	X03=CCYMMDDHHMMZZZZ (*) X04=CCYMMDDHHMMSSZZZZ (*)	205=CCYMMDDHHMMZHHMM Removed
SG1-DTM-2005	DLU=Date/Time of last update (*)	449=Date for last update
SG2-PIA/LIN-7143	DI=Distributor's part number(*)	SSS= Distributor's article identifier
SG2-LIN-1229	C=Closed (*)	88=Closed
SG2-QTY-6063	QBS=Quantity balance to ship (*) QAU=Quantity authorised (*) QCL=Quantity claimed (*)	143= Quantity, remaining 154= Sales quantity planned 261= Cumulative quantity shipped

Issue EDAS04 of 1 June 2005:

- Upgrade to UN/EDIFACT Code list D.04B

SG2 - RFF - DE 1153:

Addition of EDIFICE code 'DW' Design Win

12 May 2004 : EDIFIX 5.0 Technical upgrade

- The 'KMT' qualifier in SEG QTY and PRI DE 6411 is now defined as (*) EDIFICE code. UN/ECE Recommendation 20 specifies 'KTM' as qualifier for 'kilometre'

21 May 2003 : EDIFIX 4.2 Technical upgrade; review and correction of examples

Issue EDAS03 of 13 November 2002 is based on UN/EDIFACT D97.A / Code List D01.A

- Addition of the following code value:

SG2, LIN segment, CO C212, DE 7143 codes 'SRV' EAN.UCC Global Trade Item Number
SG2, PIA segment, CO C212, DE 7143 codes 'SRV' EAN.UCC Global Trade Item Number

Issue EDAS02; Publication date 29 May 2002 – addition of recommended set of DTM qualifiers

Issue EDAS02 of 26 November 1997 includes the changes that have been made to the issue 1 of the Authorisation Status document endorsed by the EDIFICE Plenary on 7 September 1994. The changes are as follows:

- Recast from the 92.1 version of the UN/EDIFACT directory to the D.97A version,

- Addition of the following code values:

all DTM segments, CO C507, DE 2379, code '203' CCYMMDDHHMM
header NAD segment, CO C082, DE 3055, code '16' DUNS (Dun & Bradstreet)
SG1, DTM segment, CO C507, DE 2005 code '36' Expiry date
SG1, NAD segment, CO C082, DE 3055 codes '9' EAN (International Article Numbering association)
'16' DUNS (Dun & Bradstreet)
'91' Assigned by seller or seller's agent
SG2, LIN segment, CO C212, DE 7143 codes 'DI' Distributor's part number
'MF' Manufacturer's (producer's) article number
'UP' UPC (Universal product code)
SG2, LIN segment, CO C212, DE 3055 codes '89' Assigned by distributor
'90' Assigned by manufacturer
'113' US, UCC (Uniform Code Council)
SG2, PIA segment, CO C212, DE 7143 codes 'DI' Distributor's part number
'MF' Manufacturer's (producer's) article number
'UP' UPC (Universal product code)
SG2, PIA segment, CO C212, DE 3055 codes '89' Assigned by distributor
'90' Assigned by manufacturer
'113'US, UCC (Uniform Code Council)
SG2, PRI segment, CO C509, DE 5125, code 'AAA' Calculation net,

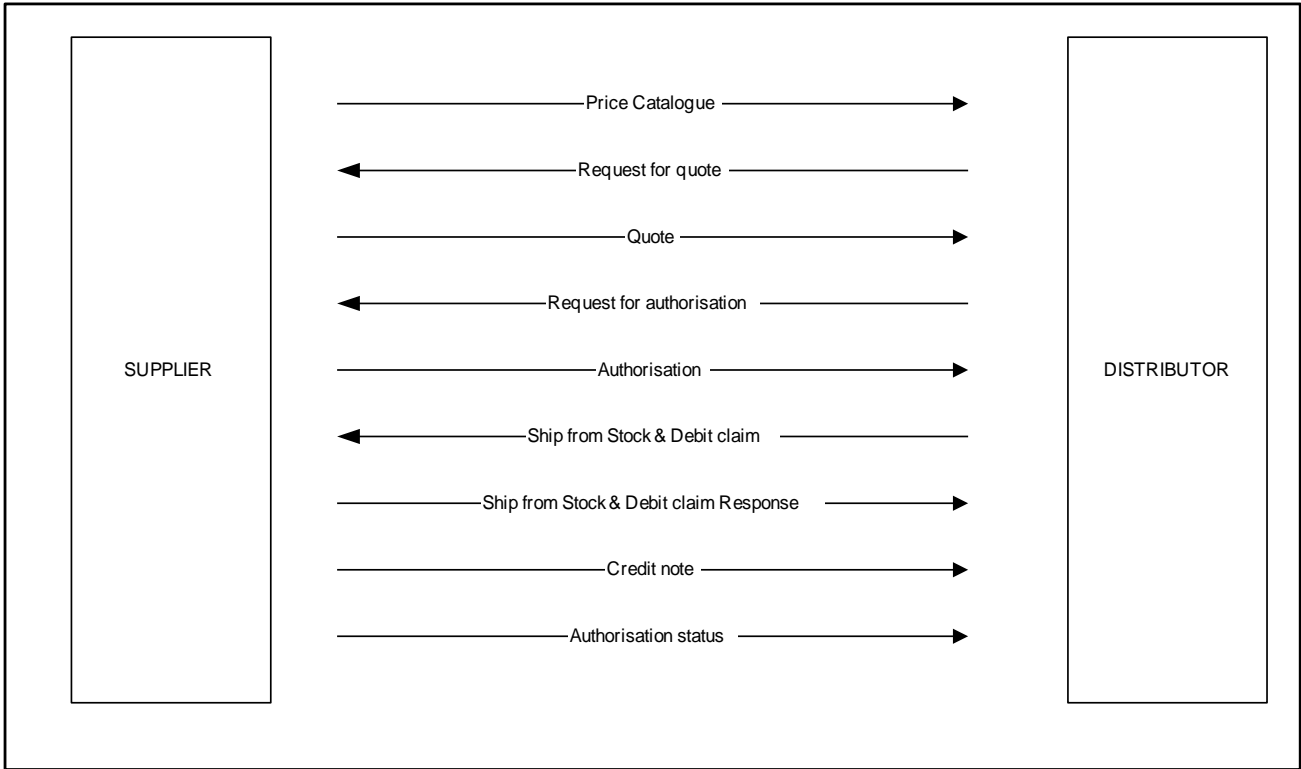
- Deletion of the following code values:

SG2, PIA segment, CO C212, DE 7143, codes 'CCM' COCOM list number
'DR' Drawing revision number

EDIFICE FUNCTIONAL DEFINITION

The business relationship can be between any buying and selling functions. For the purposes of this business scenario these buying and selling functions relate to a distributor and manufacturer respectively.

1. Typical business scenario



2. Description of the Ship from Stock & Debit business scenario

2.1 Stocking of Goods and Stock Protection

The distributor purchases the goods with the manufacturer for stocking purposes at a fixed price. These prices are fixed for a certain period of time e.g. prices are fixed per quarter. This purchase price is commonly referred to as 'distributor cost' or 'catalogue price'.

When the manufacturer decides to change his price, the following process is applied:

Based on the distributor's inventory level at the time of the price change, the manufacturer can calculate the difference in value of the stock affected by the price change.

When, as in the majority of the cases, the prices of electronics components go down, the manufacturer will credit the distributor's account for the difference in value of his stock.

There are variances in the stock protection mechanism from one manufacturer to another. The exact conditions can usually be found in the franchise agreement. There are other implications to this stock protection mechanism e.g. stock return, which are not part of this scenario.

2.2 Request of a New Buy Price

The primary purpose for a distributor to have stock, is to sell the goods to his customers, referred to as the 'end-customers'.

Very often, the market price will have changed since the distributor bought the goods from a manufacturer which prevents the distributor from making a healthy margin. For this purpose, manufacturers introduced the 'Ship from Stock & Debit' scenario.

When a distributor has a business opportunity with an end-customer, he will inform the manufacturer of the business opportunity with a 'request for quote'.

The distributor will get a response from the manufacturer to his proposal - the 'quote'. In this quote, the manufacturer will propose a 'new buy price'. This 'new buy price' is only valid for the authorised quantity and the end-customer specified in the quote.

Based on this quote, the distributor can make a final offer to his end-customer. When the end-customer accepts the deal, which results in an order from the end-customer to the distributor, the distributor will inform the manufacturer of this deal, by phone, fax or EDI - 'request for authorisation'. The manufacturer will give the distributor a final authorisation to ship the goods and claim back the difference between the 'distributor cost' and the 'new buy price'. Besides the 'new buy price', the 'authorised quantity' and the 'end-customer', an 'expiry date' is always attached to the 'authorisation'.

Not all manufacturers require a 'four step' negotiation process. The process can be reduced to a 'three step' process if the first offer to the distributor already contains a conditional authorisation number.

2.3 Shipping to the End-customer / Claiming from the Manufacturer

Independent of how many steps the bid/offer process takes, it is only when the distributor starts shipping the goods to his end-customer that he can claim the difference between the 'distributor cost' and the 'new buy price' from the manufacturer.

The frequency at which a distributor makes a claim to the manufacturer differs. Some manufacturers allow the distributor to claim when the shipping event occurs, others ask the distributor to accumulate and transmit the claims on a fixed interval period e.g. weekly or monthly.

The manufacturer will receive the claim and process it against the distributor's 'open' authorisations. Not all claims are accepted based on the conditions stated in the claim. It is even possible that some claims are rejected.

The manufacturer will inform the distributor of the processing result of every claim. Finally the manufacturer will issue a credit note to the distributor and credit the distributor's account.

2.4 Where does the Authorisation Status fit in this scenario?

The purpose of this message is to allow the manufacturer to inform his distributor of the status of the distributor's authorisations.

This EDIFICE implementation guideline is designed to be a snap-shot of the status of all authorisations at a given time.

The manufacturer can agree with his distributor to convey authorisation line items with one of the following statuses: 'open', 'expired', 'hold', 'closed'.

- Open authorisation line item:
The item is available for the distributor to claim against.
- Expired authorisation line item:
Although the item's quantity was not completely used, it has passed its expiry date.
- Hold the authorisation line item:
The item is temporarily put on hold by the manufacturer. A claim against this item will be rejected.
- Closed authorisation line item:
The item has passed its expiry date or all its quantity has been used. This status is final.

REFERENCES

Refer to the document : Reference list for the EDIFICE message guidelines – Issue 1

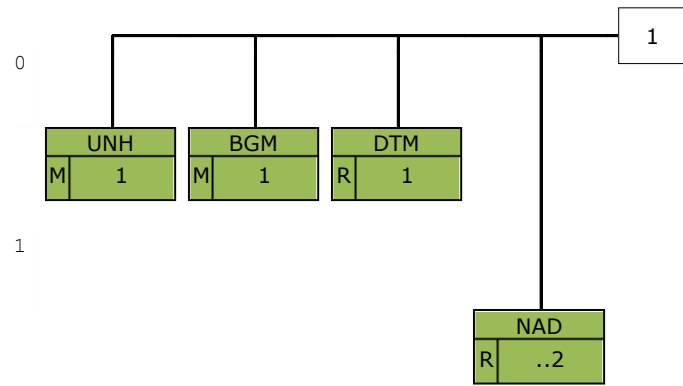
EXPLANATORY NOTES

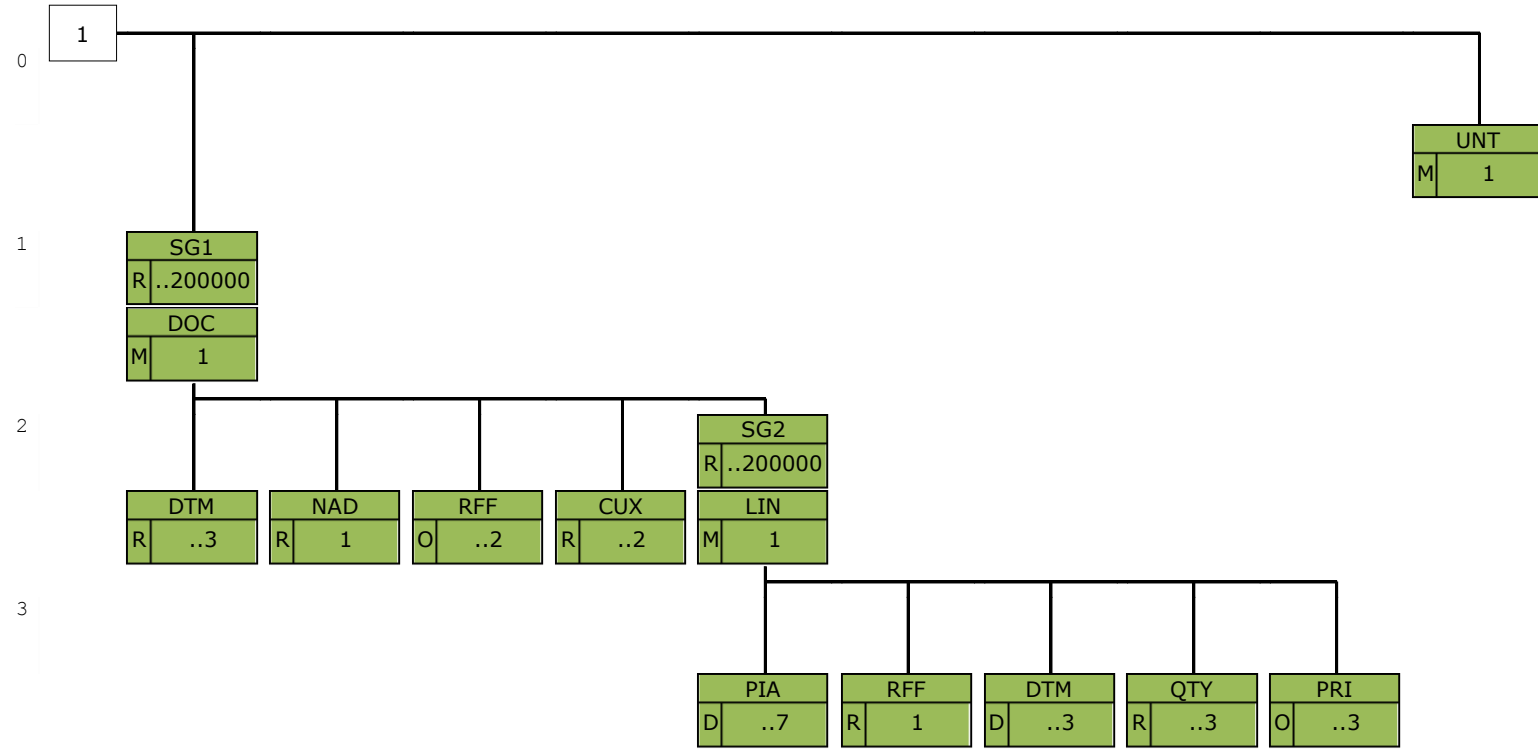
Refer to the document : Explanatory notes for the EDIFICE message guidelines – Issue 1

MESSAGE STRUCTURE CHART

	UNH	Message header	M 1
	BGM	Beginning of message	M 1
	DTM	Date/time/period	R 1
	NAD	Name and address	R ..2
┌	SG1		R ..200000
	DOC	Document/message details	M 1
	DTM	Date/time/period	R ..3
	NAD	Name and address	R 1
	RFF	Reference	O ..2
	CUX	Currencies	R ..2
	SG2		R ..200000
	LIN	Line item	M 1
	PIA	Additional product id	D ..7
	RFF	Reference	R 1
	DTM	Date/time/period	D ..3
	QTY	Quantity	R ..3
	PRI	Price details	O ..3
	UNT	Message trailer	M 1

BRANCHING DIAGRAM





SEGMENT DESCRIPTION

UNH Message header

Function: A service segment heading, and uniquely identifying the message.
Usage: M1

BGM Beginning of message

Function: A segment uniquely identifying the message by means of its coded name, number and function.
Usage: M1

DTM Date/time/period

Function: A segment specifying the date/time of creation of the message.
Usage: R 1

NAD Name and address

Function: A segment identifying the function and coded identification, name and address of a party involved.
Usage: R..2

SG1 DOC-DTM-NAD-RFF-CUX-SG2

Function: A group of segments providing details of the individual items i.e. authorisations within the message.
Usage: R..200000
Notes:

DOC Document/message details

Function: A segment specifying the authorisation number.
Usage: M1

DTM Date/time/period

Function: A segment specifying the date/time of creation of the authorisation and other dates/times relevant to the authorisation.
Usage: R..3

NAD Name and address

Function: A segment identifying the function and coded identification, name and address of the end-customer to whom the authorisation relates.
Usage: R 1

RFF Reference

Function: A segment specifying the quote and/or request for quote number related to the authorisation.
Usage: O..2

CUX Currencies

Function: A segment specifying a currency, valid for the whole authorisation.
Usage: R..2

SG2 LIN-PIA-RFF-DTM-QTY-PRI

Function: A group of segments providing status details of the individual line items within the authorisation.
Usage: R..200000
Notes: The PIA segment is dependent on whether the primary reference to the authorisation line item is insufficient to identify the item.
The DTM segment is used when dates/times need to be specified for the line item.

LIN Line item

Function: A segment identifying a line item by its item number, and agreed to be the primary reference number between the buyer and seller.
The segment also carries a sequence number assigned to the line item within the message, and the action taken.
Usage: M1

PIA Additional product id

Function: A segment providing additional identification numbers for the line item.
Usage: D..7

RFF Reference

Function: A segment specifying the authorisation line number.
Usage: R 1

DTM Date/time/period

Function: A segment specifying the expiry date/time, and other dates/times relevant to the line item.
Usage: D..3

QTY Quantity

Function: A segment specifying the quantity related to the line item.
Usage: R..3

PRI Price details

Function: A segment specifying the line item price and qualifying information.
Usage: O..3

UNT Message trailer

Function: A service segment ending, and providing information for checking the completeness of a message.
Usage: M1

SEGMENT DETAILS



UNH Message header

Function: A service segment heading, and uniquely identifying the message.

Usage : M1

Notes : Refer to EDIFICE Utilisation of the UN/EDIFACT Service Segments, Issue EDSS10

Ref.	Rep.	Name		EDIFICE Utilisation
0062	an..14	M MESSAGE REFERENCE NUMBER	M	Transmission message count from 1
S009		M MESSAGE IDENTIFIER	M	
0065	an..6	M Message type	M	ATHSTS = Authorisation status D = Draft version/UN/EDIFACT Directory 10A = Release 2010 - A ED = EDIFICE (Electronic industries project) EDSC10 = Ship from stock & Debit claim message Issue EDSC10
0052	an..3	M Message version number	M	
0054	an..3	M Message release number	M	
0051	an..3	M Controlling agency, coded	M	
0057	an..6	C Association assigned code	R	
0110	an..6	C Code list directory version number	N	
0113	an..6	C Message type sub-function identification	N	
0068	an..35	C COMMON ACCESS REFERENCE	N	
S010		C STATUS OF THE TRANSFER	N	
0070	n..2	M Sequence of transfers	N	
0073	a1	C First and last transfer	N	
S016		C MESSAGE SUBSET IDENTIFICATION	N	
0115	an..14	M Message subset identification	N	
0116	an..3	C Message subset version number	N	
0118	an..3	C Message subset release number	N	
0051	an..3	C Controlling agency, coded	N	
S017		C MESSAGE IMPLEMENTATION GUIDELINE IDENTIFICATION	N	
0121	an..14	M Message implementation guideline identification	N	
0122	an..3	C Message implementation guideline version number	N	
0124	an..3	C Message implementation guideline release number	N	
0051	an..3	C Controlling agency, coded	N	
S018		C SCENARIO IDENTIFICATION	N	
0127	an..14	M Scenario identification	N	
0128	an..3	C Scenario version number	N	
0130	an..3	C Scenario release number	N	
0051	an..3	C Controlling agency, coded	N	

BGM Beginning of message

Function: A segment uniquely identifying the message by means of its coded name, number and function.

Usage : M1

Notes :

Ref.	Rep.	Name		EDIFICE Utilisation
C002		C DOCUMENT/MESSAGE NAME	R	
1001	an..3	C Document name code	R	AST = Authorisation status (*) (*) EDIFICE code
1131	an..17	C Code list identification code	N	
3055	an..3	C Code list responsible agency code	N	
1000	an..35	C Document name	N	
C106		C DOCUMENT/MESSAGE IDENTIFICATION	R	
1004	an..70	C Document identifier	R	Authorisation status number
1056	an..9	C Version identifier	N	
1060	an..6	C Revision identifier	N	
1225	an..3	C MESSAGE FUNCTION CODE	A	5 = Replace
4343	an..3	C RESPONSE TYPE CODE	N	

DTM Date/time/period

Function: A segment specifying the date/time of creation of the message.

Usage : R 1

Notes :

Ref.	Rep.	Name		EDIFICE Utilisation
C507		M DATE/TIME/PERIOD	M	
2005	an..3	M Date or time or period function code qualifier	M	137 = Document issue date time
2380	an..35	C Date or time or period text	R	Authorisation status date
2379	an..3	C Date or time or period format code	R	102 = CCYYMMDD 203 = CCYYMMDDHHMM 205 = CCYYMMDDHHMMZHHMM <i>Replaces EDIFICE code</i> <i>X03=CCYYMMDDHHMMZZZZ</i> 303 = CCYYMMDDHHMMZZZ <i>ZZZ = Time zone</i> 304 = CCYYMMDDHHMMSSZZZ <i>ZZZ = Time zone</i>

NAD Name and address

Function: A segment identifying the function and coded identification, name and address of a party involved.
 Usage : R..2
 Notes : It is advised that the party identification CO C082 be used. When CO C082 cannot be used it is recommended to use the structured name and address CO C080 through DE 3207 rather than the unstructured one CO C058.
 The NAD segment that identifies the seller must be present.

Ref.	Rep.	Name		EDIFICE Utilisation
3035	an..3	M PARTY FUNCTION CODE QUALIFIER	M	BY = Buyer SE = Seller 9 = GS1 16 = US, D&B (Dun & Bradstreet Corporation) 91 = Assigned by seller or seller's agent 92 = Assigned by buyer or buyer's agent
C082		C PARTY IDENTIFICATION DETAILS	A	
3039	an..35	M Party identifier	M	
1131	an..17	C Code list identification code	N	
3055	an..3	C Code list responsible agency code	R	
C058		C NAME AND ADDRESS	D	
3124	an..35	M Name and address description	M	
3124	an..35	C Name and address description	O	
3124	an..35	C Name and address description	O	
3124	an..35	C Name and address description	O	
C080		C PARTY NAME	D	
3036	an..70	M Party name	M	
3036	an..70	C Party name	O	
3036	an..70	C Party name	O	
3036	an..70	C Party name	O	
3036	an..70	C Party name	O	
3045	an..3	C Party name format code	N	
C059		C STREET	D	
3042	an..35	M Street and number or post office box identifier	M	
3042	an..35	C Street and number or post office box identifier	O	
3042	an..35	C Street and number or post office box identifier	O	
3042	an..35	C Street and number or post office box identifier	O	
3164	an..35	C CITY NAME	D	
C819		C COUNTRY SUBDIVISION DETAILS	C	
3229	an..9	C Country subdivision identifier	D	
1131	an..17	C Code list identification code	N	
3055	an..3	C Code list responsible agency code	N	
3228	an..70	C Country subdivision name	N	
3251	an..17	C POSTAL IDENTIFICATION CODE	D	
3207	an..3	C COUNTRY IDENTIFIER	D	Use ISO 3166, 2 alpha code

SG1 DOC-DTM-NAD-RFF-CUX-SG2**DOC Document/message details**

Function: A segment specifying the authorisation number.

Usage : M1

Notes :

Ref.	Rep.	Name		EDIFICE Utilisation
C002		M DOCUMENT/MESSAGE NAME	M	
1001	an..3	C Document name code	R	
1131	an..17	C Code list identification code	N	
3055	an..3	C Code list responsible agency code	N	
1000	an..35	C Document name	N	
C503		C DOCUMENT/MESSAGE DETAILS	R	
1004	an..70	C Document identifier	R	Authorisation number
1373	an..3	C Document status code	N	
1366	an..70	C Document source description	N	
3453	an..3	C Language name code	N	
1056	an..9	C Version identifier	N	
1060	an..6	C Revision identifier	N	
3153	an..3	C COMMUNICATION MEDIUM TYPE CODE	N	
1220	n..2	C DOCUMENT COPIES REQUIRED QUANTITY	N	
1218	n..2	C DOCUMENT ORIGINALS REQUIRED QUANTITY	N	

SG1 DOC-DTM-NAD-RFF-CUX-SG2**DTM Date/time/period**

Function: A segment specifying the date/time of creation of the authorisation and other dates/times relevant to the authorisation.

Usage : R..3

Notes : It is required to specify the date/time of creation of the authorisation.
If the expiry date is given at line item level, it must not appear here.

Ref.	Rep.	Name		EDIFICE Utilisation
C507		M DATE/TIME/PERIOD	M	
2005	an..3	M Date or time or period function code qualifier	M	36 = Expiry date 137 = Document issue date time 449 = Date for the last update <i>Replaces EDIFICE code DLU=Date/Time of last Update</i>
2380	an..35	C Date or time or period text	R	
2379	an..3	C Date or time or period format code	R	102 = CCYMMDD 203 = CCYMMDDHHMM 205 = CCYMMDDHHMMZHHMM <i>Replaces EDIFICE code X03=CCYMMDDHHMMZZZZ</i> 303 = CCYMMDDHHMMZZZ <i>ZZZ = Time zone</i> 304 = CCYMMDDHHMMSSZZZ <i>ZZZ = Time zone</i>

SG1 DOC-DTM-NAD-RFF-CUX-SG2
NAD Name and address

Function: A segment identifying the function and coded identification, name and address of the end-customer to whom the authorisation relates.

Usage : R 1

Notes : It is advised that the party identification CO C082 be used. When CO C082 cannot be used it is recommended to use the structured name and address CO C080 through DE 3207 rather than the unstructured one CO C058.

Ref.	Rep.	Name		EDIFICE Utilisation
3035	an..3	M PARTY FUNCTION CODE QUALIFIER	M	PC = Actual purchaser's customer End-customer identification 9 = GS1 16 = US, D&B (Dun & Bradstreet Corporation) 91 = Assigned by seller or seller's agent 92 = Assigned by buyer or buyer's agent
C082		C PARTY IDENTIFICATION DETAILS	A	
3039	an..35	M Party identifier	M	
1131	an..17	C Code list identification code	N	
3055	an..3	C Code list responsible agency code	R	
C058		C NAME AND ADDRESS	D	
3124	an..35	M Name and address description	M	
3124	an..35	C Name and address description	O	
3124	an..35	C Name and address description	O	
3124	an..35	C Name and address description	O	
C080		C PARTY NAME	D	
3036	an..70	M Party name	M	
3036	an..70	C Party name	O	
3036	an..70	C Party name	O	
3036	an..70	C Party name	O	
3036	an..70	C Party name	O	
3045	an..3	C Party name format code	N	
C059		C STREET	D	
3042	an..35	M Street and number or post office box identifier	M	
3042	an..35	C Street and number or post office box identifier	M	
3042	an..35	C Street and number or post office box identifier	O	
3042	an..35	C Street and number or post office box identifier	O	
3164	an..35	C CITY NAME	D	
C819		C COUNTRY SUBDIVISION DETAILS	C	
3229	an..9	C Country subdivision identifier	D	
1131	an..17	C Code list identification code	N	
3055	an..3	C Code list responsible agency code	N	
3228	an..70	C Country subdivision name	N	
3251	an..17	C POSTAL IDENTIFICATION CODE	D	
3207	an..3	C COUNTRY IDENTIFIER	D	Use ISO 3166, 2 alpha code

SG1 DOC-DTM-NAD-RFF-CUX-SG2

RFF Reference

Function: A segment specifying the quote and/or request for quote number related to the authorisation.
 Usage : O..2
 Notes :

Ref.	Rep.	Name		EDIFICE Utilisation
C506		M REFERENCE	M	AHU = Request for quote number <i>Buyer's request for quote number</i> PR = Price quote number
1153	an..3	M Reference code qualifier	M	
1154	an..70	C Reference identifier	R	
1156	an..6	C Document line identifier	N	
1056	an..9	C Version identifier	N	
1060	an..6	C Revision identifier	N	

SG1 DOC-DTM-NAD-RFF-CUX-SG2

CUX Currencies

Function: A segment specifying a currency, valid for the whole authorisation.
 Usage : R..2
 Notes : A CUX segment specifying the order currency must be present.

Ref.	Rep.	Name		EDIFICE Utilisation
C504		C CURRENCY DETAILS	R	2 = Reference currency Use ISO 4217, 3 alpha code 4 = Invoicing currency <i>Currency used between buyer and end-customer. This is the currency of the resale price.</i> 9 = Order currency <i>Currency used between buyer and seller. This is the currency of the buy price.</i>
6347	an..3	M Currency usage code qualifier	M	
6345	an..3	C Currency identification code	R	
6343	an..3	C Currency type code qualifier	R	
6348	n..4	C Currency rate	N	
C504		C CURRENCY DETAILS	N	
6347	an..3	M Currency usage code qualifier	N	
6345	an..3	C Currency identification code	N	
6343	an..3	C Currency type code qualifier	N	
6348	n..4	C Currency rate	N	
5402	n..12	C CURRENCY EXCHANGE RATE	N	
6341	an..3	C EXCHANGE RATE CURRENCY MARKET IDENTIFIER	N	

SG2 LIN-PIA-RFF-DTM-QTY-PRI

LIN Line item

Function: A segment identifying a line item by its item number, and agreed to be the primary reference number between the buyer and seller.
 The segment also carries a sequence number assigned to the line item within the message, and the action taken.

Usage : M1

Notes :

Ref.	Rep.	Name		EDIFICE Utilisation
1082	an..6	C LINE ITEM IDENTIFIER	R	It is required to assign a number to the line items within a message. The number is assigned by the sender of the message. The first line item within a message will be numbered 1 and further line items will be incremented by 1 for each new line. 88 = Closed <i>Replaces EDIFICE code C=Closed</i> E = Expired (*) H = Hold (*) O = Open (*) (*) EDIFICE code Primary reference BP = Buyer's part number EN = International Article Numbering Association (EAN) MF = Manufacturer's (producer's) article number SRV = EAN.UCC Global Trade Item Number SSS = Distributor's article identifier <i>Replaces EDIFICE code DI=Distributor's part number</i> VP = Vendor's (seller's) part number UP = UPC (Universal product code) 9 = GS1 89 = Assigned by distributor 90 = Assigned by manufacturer 91 = Assigned by seller or seller's agent 92 = Assigned by buyer or buyer's agent 113 = GS1 US
1229	an..3	C ACTION CODE	R	
C212		C ITEM NUMBER IDENTIFICATION	R	
7140	an..35	C Item identifier	R	
7143	an..3	C Item type identification code	R	
1131	an..17	C Code list identification code	N	
3055	an..3	C Code list responsible agency code	R	
C829		C SUB-LINE INFORMATION	N	
5495	an..3	C Sub-line indicator code	N	
1082	an..6	C Line item identifier	N	
1222	n..2	C CONFIGURATION LEVEL NUMBER	N	
7083	an..3	C CONFIGURATION OPERATION CODE	N	

SG2 LIN-PIA-RFF-DTM-QTY-PRI**PIA Additional product id**

Function: A segment providing additional identification numbers for the line item.

Usage : D..7

Notes : The 5 internal repetitions of CO C212 may be used, but EDIFICE recommends to only use the first occurrence.

Ref.	Rep.	Name		EDIFICE Utilisation
4347	an..3	M PRODUCT IDENTIFIER CODE QUALIFIER	M	1 = Additional identification
C212		M ITEM NUMBER IDENTIFICATION	M	
7140	an..35	C Item identifier	R	
7143	an..3	C Item type identification code	R	BP = Buyer's part number CV = Customs article number EN = International Article Numbering Association (EAN) MF = Manufacturer's (producer's) article number SRV = EAN.UCC Global Trade Item Number SSS = Distributor's article identifier <i>Replaces EDIFICE code DI=Distributor's part number</i> VP = Vendor's (seller's) part number UP = UPC (Universal product code)
1131	an..17	C Code list identification code	N	
3055	an..3	C Code list responsible agency code	R	9 = GS1 89 = Assigned by distributor 90 = Assigned by manufacturer 91 = Assigned by seller or seller's agent 92 = Assigned by buyer or buyer's agent 113 = GS1 US
C212		C ITEM NUMBER IDENTIFICATION	O	As for first CO C212
7140	an..35	C Item identifier	R	
7143	an..3	C Item type identification code	R	
1131	an..17	C Code list identification code	N	
3055	an..3	C Code list responsible agency code	R	
C212		C ITEM NUMBER IDENTIFICATION	O	As for first CO C212
7140	an..35	C Item identifier	R	
7143	an..3	C Item type identification code	R	
1131	an..17	C Code list identification code	N	
3055	an..3	C Code list responsible agency code	R	
C212		C ITEM NUMBER IDENTIFICATION	O	As for first CO C212
7140	an..35	C Item identifier	R	
7143	an..3	C Item type identification code	R	
1131	an..17	C Code list identification code	N	
3055	an..3	C Code list responsible agency code	R	
C212		C ITEM NUMBER IDENTIFICATION	O	As for first CO C212
7140	an..35	C Item identifier	R	
7143	an..3	C Item type identification code	R	
1131	an..17	C Code list identification code	N	
3055	an..3	C Code list responsible agency code	R	

SG2 LIN-PIA-RFF-DTM-QTY-PRI

RFF Reference

Function: A segment specifying the authorisation line number.

Usage : R 1

Notes :

Ref.	Rep.	Name		EDIFICE Utilisation
C506		M REFERENCE	M	
1153	an..3	M Reference code qualifier	M	DW = Design win (*) LI = Document line identifier (*) EDIFICE code
1154	an..70	C Reference identifier	N	
1156	an..6	C Document line identifier	R	Authorisation line number
1056	an..9	C Version identifier	N	
1060	an..6	C Revision identifier	N	

SG2 LIN-PIA-RFF-DTM-QTY-PRI**DTM Date/time/period**

Function: A segment specifying the expiry date/time, and other dates/times relevant to the line item.

Usage : D..3

Notes : If the expiry date/time is given at document level, it should not appear here.

Ref.	Rep.	Name		EDIFICE Utilisation
C507		M DATE/TIME/PERIOD	M	
2005	an..3	M Date or time or period function code qualifier	M	36 = Expiry date 206 = End date/time <i>Date that the authorisation line item was closed</i> 449 = Date for the last update <i>Replaces EDIFICE code DLU=Date/Time of last update</i>
2380	an..35	C Date or time or period text	R	
2379	an..3	C Date or time or period format code	R	102 = CCYMMDD 203 = CCYMMDDHHMM 205 = CCYMMDDHHMMZHHMM <i>Replaces EDIFICE code X03=CCYMMDDHHMMZZZZ</i> 303 = CCYMMDDHHMMZZZ <i>ZZZ = Time zone</i> 304 = CCYMMDDHHMMSSZZZ <i>ZZZ = Time zone</i>

SG2 LIN-PIA-RFF-DTM-QTY-PRI

QTY Quantity

Function: A segment specifying the quantity related to the line item.
 Usage : R..3
 Notes : EDIFICE recommends to always specify the quantity authorised.
 The quantity balance to ship only needs to be specified if non-zero.

Ref.	Rep.	Name		EDIFICE Utilisation
C186		M QUANTITY DETAILS	M	
6063	an..3	M Quantity type code qualifier	M	143 = Quantity, remaining <i>Replaces QBS=Quantity balance to ship</i> 154 = Sales quantity planned <i>Replaces QAU=Quantity authorised</i> 261 = Cumulative quantity shipped <i>Replaces QCL=Quantity claimed</i>
6060	an..35	M Quantity	M	
6411	an..8	C Measurement unit code	R	CLT = centilitre CMT = centimetre EA = each GRM = gram H87 = piece KGM = kilogram KMT = kilometre LTR = litre MGM = milligram MMT = millimetre MTK = square metre MTQ = cubic metre MTR = metre PCE = piece (*) EDIFICE Code 'PCE' is widely adopted by membership and preferred over the EDIFACT code 'H87' (*) EDIFICE code Other codes should be previously agreed between trading partners.

SG2 LIN-PIA-RFF-DTM-QTY-PRI

PRI Price details

Function: A segment specifying the line item price and qualifying information.
 Usage : 0..3
 Notes : Catalogue price and new buy price are specified with the order currency.
 Resale price is specified with the invoicing currency.

Ref.	Rep.	Name		EDIFICE Utilisation
C509		C PRICE INFORMATION	R	AAA = Calculation net CA = Catalogue <i>Stocking price used between the buyer and seller.</i> NBP = New buy price (*) Re-negotiated buy price between the buyer and seller. RES = Resale price (*) Price used between the buyer and the end-customer. (*) EDIFICE code CLT = centilitre CMT = centimetre EA = each GRM = gram H87 = piece KGM = kilogram KMT = kilometre LTR = litre MGM = milligram MMT = millimetre MTK = square metre MTQ = cubic metre MTR = metre PCE = piece (*) EDIFICE Code 'PCE' is widely adopted by membership and preferred over the EDIFACT code 'H87' (*) EDIFICE code Other codes should be previously agreed between trading partners.
5125	an..3	M Price code qualifier	M	
5118	n..15	C Price amount	R	
5375	an..3	C Price type code	R	
5387	an..3	C Price specification code	N	
5284	n..9	C Unit price basis quantity	R	
6411	an..8	C Measurement unit code	R	
5213	an..3	C SUB-LINE ITEM PRICE CHANGE OPERATION CODE	N	

UNT Message trailer

Function: A service segment ending, and providing information for checking the completeness of a message.

Usage : M1

Notes : Refer to EDIFICE Utilisation of the UN/EDIFACT Service Segments, Issue EDSS10

Ref.	Rep.	Name	EDIFICE Utilisation	
0074	n..10	M NUMBER OF SEGMENTS IN A MESSAGE	M	Count of all segments in the message, UNH and UNT included.
0062	an..14	M MESSAGE REFERENCE NUMBER	M	Must be the same reference number as in DE 0062 of the UNH segment of this message.

EXAMPLES

An authorisation status message containing one authorisation with two line items.
Both have an open status.

```
UNB+UNOW:4+X:1:X+X:1:X+021209:1520+66+X:AA+ATHSTS+A+1+X+1'  
UNH+1+ATHSTS:D:10A:ED:EDAS10'  
BGM+AST+ATHSTATUSNUMBER1+5'  
DTM+137:20100428:102'  
NAD+SE+SELLERCODE:::91'  
DOC+173+BX10092089'  
DTM+137:20100304:102'  
NAD+PC+999999999:::91'  
RFF+PR:QUOTENUM1'  
CUX+2:USD:9'  
LIN+1+O+VENPAR:VP:::91'  
RFF+LI:::1'  
DTM+36:20101028:102'  
QTY+QAU:1000:PCE'  
QTY+QCL:800:PCE'  
QTY+QBS:200:PCE'  
PRI+AAA:1:CA:::1:PCE'  
PRI+AAA:0.8:NBP:::1:PCE'  
LIN+2+O+VENPAR2:VP:::91'  
RFF+LI:::2'  
DTM+36:20101028:102'  
QTY+QAU:2000:PCE'  
QTY+QCL:800:PCE'  
QTY+QBS:1200:PCE'  
PRI+AAA:15:CA:::1:PCE'  
PRI+AAA:12:NBP:::1:PCE'  
UNT+26+1'  
UNZ+1+66'
```