



EDIFICE Message Implementation Guideline

Traditional Invoice

INVOIC Issue EDIN05

Endorsed 15 June 2005

Based on UN/EDIFACT D.97A INVOIC Message

Copyright ©EDIFICE 2005

All rights reserved. No part of this publication may be reproduced or transmitted in any form or by any means without prior permission of EDIFICE.

Notwithstanding the fact that the utmost care has been observed in the collecting, drawing up and formulating of data, EDIFICE can under no circumstances be held liable for errors, omissions or misinterpretations as a result of the information compiled in the guidelines.

EDIFICE
The European B2B Forum for the Electronics Industry
EDIFICE secretariat
Dora Cresens
Tiensestraat 2
B-3320 Hoegaarden
Belgium
Tel: +32 16 76 54 40
Fax: +32 16 76 53 58
Email: Dora.Cresens@edifice.org

TABLE OF CONTENTS

<u>TITLE</u>	<u>PAGE</u>
COMPARISON TO PREVIOUS ISSUE	3
EDIFICE FUNCTIONAL DEFINITION	5
REFERENCES	6
EXPLANATORY NOTES	6
MESSAGE STRUCTURE CHART	7
BRANCHING DIAGRAM	9
SEGMENT GROUPS/SEGMENTS DESCRIPTION	13
UNH MESSAGE HEADER	22
BGM BEGINNING OF MESSAGE	23
DTM DATE/TIME/PERIOD	24
FTX FREE TEXT	25
SG1 - RFF REFERENCE	26
SG1 - DTM DATE/TIME/PERIOD	28
SG2 - NAD NAME AND ADDRESS	29
SG2 - FII FINANCIAL INSTITUTION INFORMATION	30
SG3 - RFF REFERENCE	31
SG5 - CTA CONTACT INFORMATION	32
SG5 - COM COMMUNICATION CONTACT	33
SG7 - CUX CURRENCIES	34
SG7 - DTM DATE/TIME/PERIOD	35
SG8 - PAT PAYMENT TERMS BASIS	36
SG8 - DTM DATE/TIME/PERIOD	37
SG8 - PCD PERCENTAGE DETAILS	38
SG8 - MOA MONETARY AMOUNT	39
SG15 - ALC ALLOWANCE OR CHARGE	40
SG18 - PCD PERCENTAGE DETAILS	41
SG19 - MOA MONETARY AMOUNT	42
SG21 - TAX DUTY/TAX/FEE DETAILS	43
SG21 - MOA MONETARY AMOUNT	44
SG25 - LIN LINE ITEM	45
SG25 - PIA ADDITIONAL PRODUCT ID	46
SG25 - IMD ITEM DESCRIPTION	48
SG25 - QTY QUANTITY DETAILS	49
SG25 - ALI ADDITIONAL INFORMATION	50
SG25 - DTM DATE/TIME/PERIOD	51
SG25 - FTX FREE TEXT	52
SG26 - MOA MONETARY AMOUNT	53
SG28 - PRI PRICE DETAILS	54
SG29 - RFF REFERENCE	55
SG29 - DTM DATE/TIME/PERIOD	57
SG33 - TAX DUTY/TAX/FEE DETAILS	58
SG33 - MOA MONETARY AMOUNT	59
SG38 - ALC ALLOWANCE OR CHARGE	60
SG39 - QTY QUANTITY DETAILS	61
SG40 - PCD PERCENTAGE DETAILS	62
SG41 - MOA MONETARY AMOUNT	63
SG43 - TAX DUTY/TAX/FEE DETAILS	64
SG43 - MOA MONETARY AMOUNT	65
SG47 - RCS REQUIREMENTS AND CONDITIONS	66
SG47 - RFF REFERENCE	67
SG47 - DTM DATE/TIME/PERIOD	68
SG47 - FTX FREE TEXT	69
UNS SECTION CONTROL	70
SG49 - MOA MONETARY AMOUNT	71
SG51 - TAX DUTY/TAX/FEE DETAILS	72
SG51 - MOA MONETARY AMOUNT	73
SG52 - ALC ALLOWANCE OR CHARGE	74
SG52 - MOA MONETARY AMOUNT	75
UNT MESSAGE TRAILER	76
EXAMPLES	77 - 81

COMPARISON TO PREVIOUS ISSUE

Issue EDIN05 of 1 June 2005:

- Upgrade to UN/EDIFACT Code list D.04B

SG3 - RFF - DE 1153:

Addition of standard code 'TL' Tax exemption licence number

12 May 2004 : EDIFIX 5.0 Technical Upgrade

- The 'KMT' qualifier in SEG QTY and PRI DE 6411 is now defined as (*) EDIFICE code. UN/ECE Recommendation 20 specifies 'KTM' as qualifier for 'kilometre'.

21 May 2003 : - EDIFIX 4.2 Technical upgrade; review and correction of examples

Issue EDIN04 – 13 November 2002 is based on UN/EDIFACT D97.A / Code List D01.A

- Addition of the following code values:

SG3, RFF segment, CO C506, DE 1153 code 'FC' Fiscal number

SG25, LIN segment, CO C212, DE 7143 code 'SRV' EAN.UCC Global Trade Item Number

SG25, PIA segment, CO C212, DE 7143 code 'SRV' EAN.UCC Global Trade Item Number

- Usage of SG3 changed from D..4 to D..5

Issue EDIN03 - 29 May 2002 – addition of recommended set of DTM qualifiers

Issue EDIN03 includes the changes that have been made to the issue 2 of the Invoice document endorsed by the EDIFICE Plenary on 27 November 1996. The changes are as follows:

- Recast from the 92.1 version of the UN/EDIFACT directory to the D.97A version,

- Addition of the following code values:

SG1, RFF segment, CO C506, DE 1153, code 'ALO' Receiving advice number

SG25, LIN segment, DE 7143, codes 'DI' Distributor's part number

'MF' Manufacturer's (producer's) article number and

'UP' UPC (Universal product code)

SG25, LIN segment, DE 3055, codes '89' Assigned by distributor

'90' Assigned by manufacturer and

'113' US, UCC (Uniform Code Council)

SG25, PIA segment, DE 7143, codes 'CL' Color number

'DI' Distributor's part number and

'UP' UPC (Universal product code)

SG25, PIA segment, DE 3055, codes '89' Assigned by distributor

'90' Assigned by manufacturer and

'113' US, UCC (Uniform Code Council)

SG25, IMD segment, DE 7077, code 'C' Code (from industry code list)

SG25, IMD segment, DE 7081, codes '3' Ship to stock and

'26' Ship to line

SG25, ALI segment, DE 9213, codes '1' Origin subject to EC/EFTA preference and

'2' Origin subject to other preference agreement

SG28, PRI segment, CO C509, DE 5375, codes 'CA' Catalogue

'CT' Contract

'DI' Distributor

'DR' Dealer

'NC' No charge and

'QT' Quoted

SG29, RFF segment, CO C506, DE 1153, code 'ALO' Receiving advice number

SG33, TAX segment, DE 5283, codes '5' Customs duty and

'7' Tax,

- Replacement of the following codes:

all TAX segments, DE 5305, code 'R' to 'AA' Lower rate

SG25, PIA segment, CO C212, DE 7143, 'RN' to 'AA' Product version number

SG28, PRI segment, CO C509, DE 5125, code 'CAL' to 'AAB' Calculation gross,

- Deletion of the following code values:

SG5, COM segment, DE 3155, code 'TL' Telex

SG25, PIA segment, CO C212, DE 7143, codes 'IN' Buyer's item number and

'SA' Supplier's article number

SG28, PRI segment, CO C509, DE 5387, codes 'CAT' Catalogue price

'CON' Contract price

'DIS' Distributor price

'DR' Dealer price

'NC' No charge and

'QTE' Quote price,

- Usage changed for the following segment groups/segments/data elements:
 - all FTX segments, CO C107, X to A
 - all FTX segments, CO C108, R to D
 - SG5, O1 to O..3
 - SG5, COM segment, A..4 to O..3
 - SG5, CTA segment, CO C056, DE 3412, A to D
 - SG8, PAT segment, CO C110, O to D
 - SG25, LIN segment, CO C212 D to A
 - SG25, IMD segment, DE 7081, X to O
 - SG25, IMD segment, DE 7077, R to D
 - SG25, IMD segment, CO C273, R to D
 - SG25, IMD segment, CO C273, DE 7009, X to A
 - SG25, IMD segment, CO C273, DE 7008, R to D
 - SG25, ALI segment, DE 9213, X to O
 - SG28, PRI segment, CO C509, DE 5375, X to R
 - SG28, PRI segment, CO C509, DE 5387, R to N
 - SG38, ALC segment, DE 1227, O to D
 - SG39, QTY segment, CO C186, DE 6411, R to N
 - SG47, D1 to D..4
 - SG47, RFF segment, O..4 to D1,
- Where UN/ECE Recommendations are referenced the most commonly used codes have been identified,
- Alignment of segments and composite data elements to ensure conformance (data harmonization) across all EDIFICE Implementation Guidelines,
- Update of the REFERENCES and EXPLANATORY NOTES section to comply with the EDIFICE Standards for Documentation of Message Implementation Guidelines issue 3,
- Update of examples,
- Documentation adjustments resulting from the use of GEFEG's EdiFix Message Implementation Guidelines documentation tool,
- Correction of typographical errors.

EDIFICE FUNCTIONAL DEFINITION

The principle function of the invoice message is a claim for payment for goods or services supplied under conditions agreed between supplier and customer. The message is sent by the supplier to the customer.

The following other functions are also provided for in this guideline:

- credit note - for communicating details of an amount credited to the trading account by the supplier (other than that resulting from a payment by the customer).
- debit note - for communicating details of an amount debited to the trading account by the supplier (other than an invoice for goods or services supplied).
- pro-forma invoice - for communicating invoice information without actually claiming payment.
- consignment invoice - for communicating invoice information about goods delivered to the customer which remain the property of the supplier (and for which, therefore, payment is not (yet) claimed).

This usage has been created with the intention of satisfying about eighty percent of the electronics industry EDI invoicing requirements. It is a 'core' set of segments for the invoice transaction. During the development of this document it has been recognised that there are further requirements that are special to certain areas of the electronics industry. These requirements will need to be considered under a separate document.

Amounts are expressed in a single reference currency for the whole message. Rates of exchange may be given for the conversion of amounts in the reference currency to amounts in a target currency.

The message can be used both for international (cross border) and domestic invoicing.

For a domestic invoice which is denominated in a foreign currency the VAT is handled as follows:

- All values in the invoice are specified in the foreign currency.
- The totals of goods values, VAT and invoice total are also specified in local currency.
- The message must contain an invoicing currency, target currency, and rate of exchange to allow invoice total amount, total line items amount and total tax amounts to be sent in both currencies.

REFERENCES

Refer to the document : Reference list for the EDIFICE message guidelines – Issue 1

EXPLANATORY NOTES

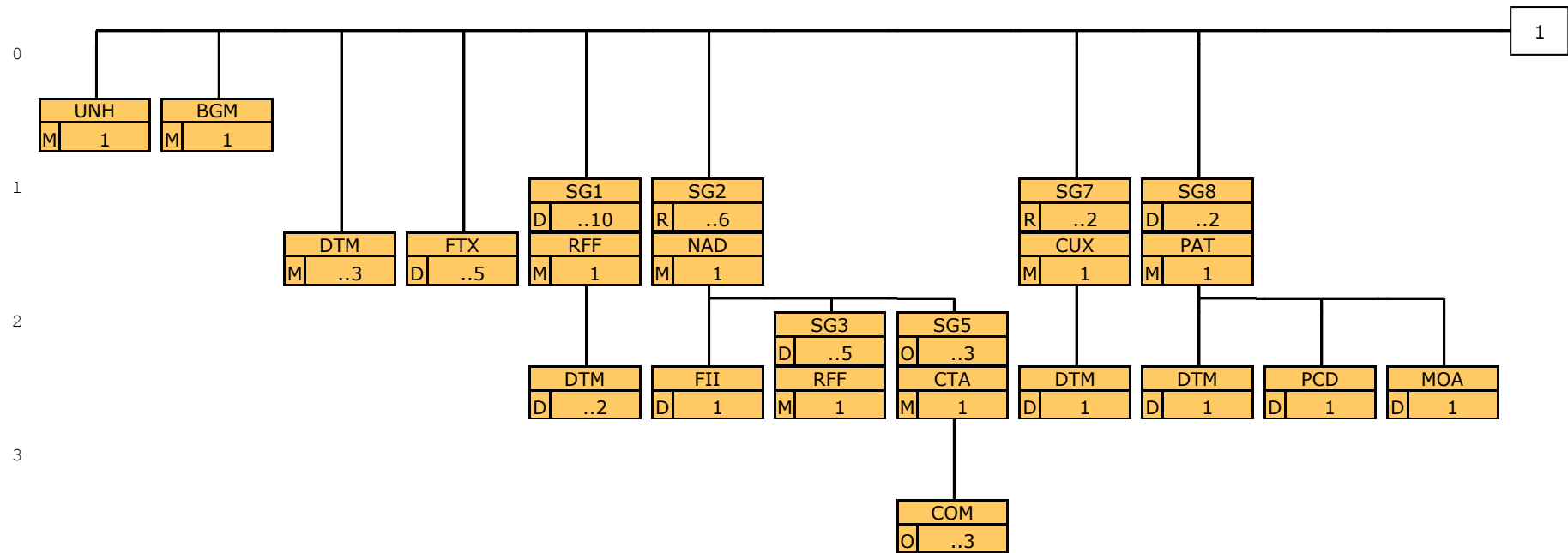
Refer to the document : Explanatory notes for the EDIFICE message guidelines – Issue 1

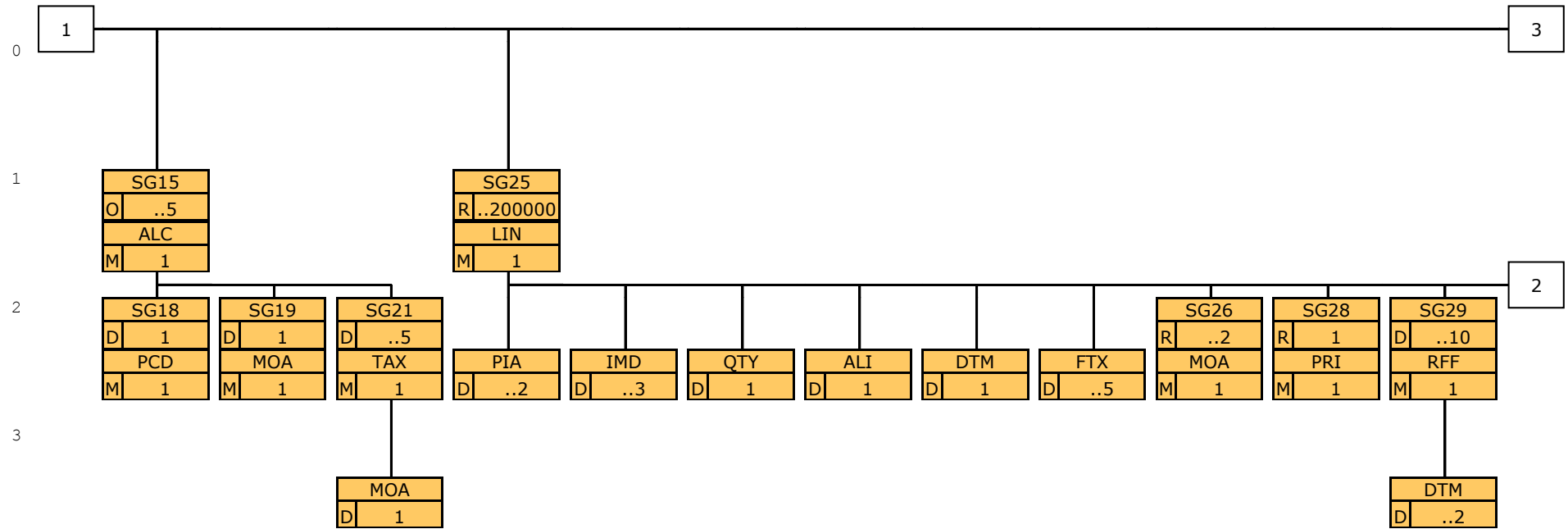
MESSAGE STRUCTURE CHART

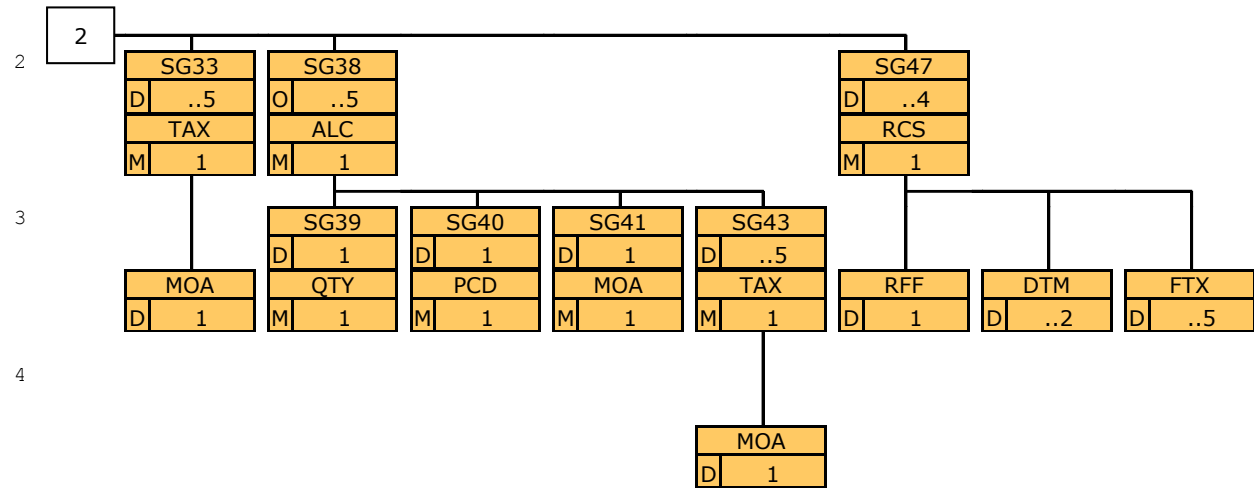
UNH	MESSAGE HEADER	M 1
BGM	BEGINNING OF MESSAGE	M 1
DTM	DATE/TIME/PERIOD	M..3
FTX	FREE TEXT	D..5
SG1		D..10
RFF	REFERENCE	M 1
DTM	DATE/TIME/PERIOD	D..2
SG2		R..6
NAD	NAME AND ADDRESS	M 1
FII	FINANCIAL INSTITUTION INFORMATION	D 1
SG3		D..5
RFF	REFERENCE	M 1
SG5		O..3
CTA	CONTACT INFORMATION	M 1
COM	COMMUNICATION CONTACT	O..3
SG7		R..2
CUX	CURRENCIES	M 1
DTM	DATE/TIME/PERIOD	D 1
SG8		D..2
PAT	PAYMENT TERMS BASIS	M 1
DTM	DATE/TIME/PERIOD	D 1
PCD	PERCENTAGE DETAILS	D 1
MOA	MONETARY AMOUNT	D 1
SG15		O..5
ALC	ALLOWANCE OR CHARGE	M 1
SG18		D 1
PCD	PERCENTAGE DETAILS	M 1
SG19		D 1
MOA	MONETARY AMOUNT	M 1
SG21		D..5
TAX	DUTY/TAX/FEE DETAILS	M 1
MOA	MONETARY AMOUNT	D 1
SG25		R..200000
LIN	LINE ITEM	M 1
PIA	ADDITIONAL PRODUCT ID	D..2
IMD	ITEM DESCRIPTION	D..3
QTY	QUANTITY	D 1
ALI	ADDITIONAL INFORMATION	D 1
DTM	DATE/TIME/PERIOD	D 1
FTX	FREE TEXT	D..5
SG26		R..2
MOA	MONETARY AMOUNT	M 1
SG28		R 1
PRI	PRICE DETAILS	M 1
SG29		D..10
RFF	REFERENCE	M 1
DTM	DATE/TIME/PERIOD	D..2
SG33		D..5
TAX	DUTY/TAX/FEE DETAILS	M 1
MOA	MONETARY AMOUNT	D 1
SG38		O..5
ALC	ALLOWANCE OR CHARGE	M 1
SG39		D 1
QTY	QUANTITY	M 1
SG40		D 1
PCD	PERCENTAGE DETAILS	M 1
SG41		D 1
MOA	MONETARY AMOUNT	M 1

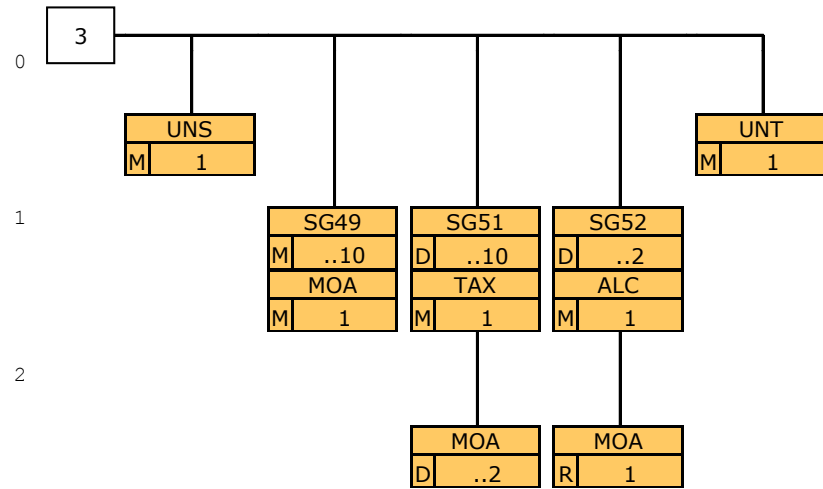
SG43		D..5
TAX	DUTY/TAX/FEE DETAILS	M1
MOA	MONETARY AMOUNT	D1
SG47		D..4
RCS	REQUIREMENTS AND CONDITIONS	M1
RFF	REFERENCE	D1
DTM	DATE/TIME/PERIOD	D..2
FTX	FREE TEXT	D..5
UNS	SECTION CONTROL	M1
SG49		M..10
MOA	MONETARY AMOUNT	M1
SG51		D..10
TAX	DUTY/TAX/FEE DETAILS	M1
MOA	MONETARY AMOUNT	D..2
SG52		D..2
ALC	ALLOWANCE OR CHARGE	M1
MOA	MONETARY AMOUNT	R1
UNT	MESSAGE TRAILER	M1

BRANCHING DIAGRAM









SEGMENT GROUPS/SEGMENTS DESCRIPTION

UNH MESSAGE HEADER

Function: A service segment heading, and uniquely identifying the message.
Usage: M1

BGM BEGINNING OF MESSAGE

Function: A segment uniquely identifying the message by means of its coded name and number.
Usage: M1

DTM DATE/TIME/PERIOD

Function: A segment specifying the date of creation of the message and other dates relevant to the whole message.
Usage: M..3

FTX FREE TEXT

Function: A segment providing free form or coded text information, applicable to the whole message.
Usage: D..5

SG1 RFF-DTM

Function: A group of segments referencing documents and their dates, relating to the whole message.
Usage: D..10
Notes: There must be at least one reference to a document occurring at an earlier stage in the business process, e.g. purchase order or contract.
Where the reference relates to the whole document it must be sent in SG1. Where the reference is not the same in every line item it must appear in every LIN segment and not here.
The DTM segment must be sent where local law requires a date or expiry date of a reference document to be sent.
If the line number of the referenced document needs to be specified, both document and line number are specified in RFF of SG29 even if the document number applies to the whole invoice. In this case the document number should not be shown in RFF SG1.

RFF REFERENCE

Function: A segment specifying a document reference number.
Usage: M1

DTM DATE/TIME/PERIOD

Function: A segment specifying the date or expiry date of the reference document.
Usage: D..2

SG2 NAD-FII-SG3-SG5

Function: A group of segments identifying the parties involved and their associated information, relevant to the whole message.
Usage: R..6
Notes: As a minimum NAD segments identifying the buyer and seller must be present. The deliver-to and invoice-to name and address may be sent, if different, to the buyer address.
The FII segment can be used only if the standard payment channel should not be used for payment of the invoice.
An FII segment can only follow an NAD segment which is qualified as 'DL', 'PE', 'SE', 'SR', 'II'.
SG3 must be sent if the invoice is a cross-border invoice in the European Union to transmit VAT registration numbers of buyer and seller.

NAD NAME AND ADDRESS

Function: A segment identifying the function and coded identification, name and address of a party involved.
Usage: M1

FII FINANCIAL INSTITUTION INFORMATION

Function: A segment identifying the financial institution and account details of the payee.

Usage: D 1

SG3 RFF

Function: A group of segments giving references relating to the identified party involved.
Usage: D..5
Notes:

RFF REFERENCE

Function: A segment specifying a company specific reference.
Usage: M1

SG5 CTA-COM

Function: A group of segments giving contact details of the specific person or department within the identified buying party involved, to whom communication should be directed.
Usage: O..3
Notes:

CTA CONTACT INFORMATION

Function: A segment identifying a person or department, and their function.
Usage: M1

COM COMMUNICATION CONTACT

Function: A segment identifying a communications type and number.
Usage: O..3

SG7 CUX-DTM

Function: A group of segments specifying the currencies and exchange rate information, valid for the whole message.
Usage: R..2
Notes: At least one CUX segment must be present specifying the invoicing currency, which applies to the whole document.
The DTM segment should be sent if the date of the exchange rate is required by law.

CUX CURRENCIES

Function: A segment specifying currencies and an exchange rate for all prices and/or amounts.
Usage: M1

DTM DATE/TIME/PERIOD

Function: A segment specifying the date or period of the currency exchange rate.
Usage: D 1

SG8 PAT-DTM-PCD-MOA

Function: A group of segments specifying the payment terms, applicable to the whole message.
Usage: D..2

Notes: Used only if the payment terms are different from those agreed as applying normally so that they need to be conveyed at the time of invoicing.

This matrix shows how PAT, DTM, PCD and MOA are used for the following types of payment terms:

A Net 'X' days

Payment is due 'X' days from date of invoice.

B 'X' days end of month

Payment is due 'X' days from end of month of date of invoice.

C Payment is due on a specified date.

D Settlement discount percentage

Discount of percentage 'Y' may be taken on payment within 'X' days of date of invoice.

E Settlement discount amount

Discount of amount 'Z' may be taken on payment within 'X' days of date of invoice.

DE	A	B	C	D	E
---	---	---	---	---	---
PAT					
4279	1	2	3	22	22
2475	5 or 6	5 or 6	-	5 or 6	5 or 6
2009	3	3	-	3	3
2151	CD	CD	-	CD	CD
2152	'X'	'X'	-	'X'	'X'
DTM					
2005			13		
2380			'date'		
PCD					
5245				12	
5482				'Y'	
MOA					
5025					'52'
5004					'Z'

PAT PAYMENT TERMS BASIS

Function: A segment specifying the payment terms type and associated time information.

Usage: M1

DTM DATE/TIME/PERIOD

Function: A segment specifying the date relating to the payment terms.

Usage: D1

PCD PERCENTAGE DETAILS

Function: A segment specifying the discount percentage related to the payment terms.

Usage: D1

MOA MONETARY AMOUNT

Function: A segment specifying the amount of settlement discount related to the payment terms.

Usage: D1

SG15 ALC-SG18-SG19-SG21

Function: A group of segments specifying allowances and/or charges and related tax information, for the whole message.

Usage: O..5

Notes: Allowances and/or charges at header level and line level are independent, i.e. line level does not override header level.
Both may occur.
SG18 is only used if the allowance or charge is percentage based.
SG19 is only used if the allowance or charge is an absolute monetary amount.
Use SG18 or SG19 but not both.
SG21 is only used if tax or duty apply to the allowance or charge.

ALC ALLOWANCE OR CHARGE

Function: A segment specifying an allowance or charge and the calculation sequence.
Usage: M1

SG18 PCD

Function: A group of segments specifying an allowance or charge as a percentage.
Usage: D 1
Notes:

PCD PERCENTAGE DETAILS

Function: A segment specifying an allowance or charge percentage applying to the invoiced value.
Usage: M1

SG19 MOA

Function: A group of segments specifying an allowance or charge as a monetary amount.
Usage: D 1
Notes:

MOA MONETARY AMOUNT

Function: A segment specifying the total monetary amount.
Usage: M1

SG21 TAX-MOA

Function: A group of segments specifying tax related information for an allowance or charge.
Usage: D..5
Notes: Usage depends on the law of the country(ies) involved.
The law and rates may vary from country to country and are to be defined by national guidelines.
The MOA segment is sent if the monetary amount of tax or duty is required to be sent.

TAX DUTY/TAX/FEE DETAILS

Function: A segment specifying the type of tax, category and rate.
Usage: M1

MOA MONETARY AMOUNT

Function: A segment specifying the monetary amount related to tax on the allowance or charge.
Usage: D 1

SG25 LIN-PIA-IMD-QTY-ALI-DTM-FTX-SG26-SG28-SG29-SG33-SG38-SG47

Function: A group of segments providing details of the individual line items i.e. invoiced products or services.
Usage: R..200000

Notes: It is preferred that the item should be uniquely identified by a single primary reference. Where the primary reference to the item being invoiced is insufficient to identify the item, the PIA segment may be used to provide additional product identification. Information such as engineering change level, drawing revision number etc. can also be included in this segment.
The IMD segment may be used for items that can not be identified by a code or article number.
The QTY segment may not be relevant where a service is supplied.
The ALI segment usage depends on legal requirements.
The DTM segment is only used when DE 7143 in PIA = 'EC'.
The FTX segment is only used when IMD is not sufficient.
SG29 must be sent if references occur at line level.
SG33 depends on country tax accounting requirements.
SG47 depends on official requirements and on status of goods.

LIN LINE ITEM

Function: A segment identifying a line item by its item number, and agreed to be the primary reference number between the buyer and seller.
The segment also carries a sequence number assigned to the line item within the message.
Usage: M1

PIA ADDITIONAL PRODUCT ID

Function: A segment providing additional or substitute identification numbers for the line item.
Usage: D..2

IMD ITEM DESCRIPTION

Function: A segment specifying an additional description in clear or coded form, for the line item.
Usage: D..3

QTY QUANTITY

Function: A segment specifying the quantity information for the line item.
Usage: D 1

ALI ADDITIONAL INFORMATION

Function: A segment indicating that special conditions due to origin, customs preference, fiscal or commercial factors are applicable to the line item.
Usage: D 1

DTM DATE/TIME/PERIOD

Function: A segment specifying the engineering change level date as part of the additional identification for the line item.
Usage: D 1

FTX FREE TEXT

Function: A segment providing free form or coded text information for the line item.
Usage: D..5

SG26 MOA

Function: A group of segments specifying total monetary amounts for the line item.
Usage: R..2
Notes:

MOA MONETARY AMOUNT

Function: A segment specifying the total monetary amount.
Usage: M1

SG28 PRI

Function: A group of segments specifying pricing information for the line item.
Usage: R 1

Notes:

PRI PRICE DETAILS

Function: A segment specifying the line item price and the qualifying information.
Usage: M1

SG29 RFF-DTM

Function: A group of segments referencing documents and their dates for the line item.
Usage: D..10
Notes: There must be at least one reference to a document occurring at an earlier stage in the business process, e.g. purchase order or contract.
If a reference applies to the whole document or to all invoice lines it should be sent at header level (SG1). Where the document reference differs by line then use only this segment group. This segment group should not be used to override SG1.
If the line number of the referenced document needs to be specified, both document and line number are specified in RFF of SG29 even if the document number applies to the whole invoice. In this case the document number should not be shown in RFF SG1.
The DTM segment must be sent where local law requires a date or expiry date of a reference document to be sent.

RFF REFERENCE

Function: A segment specifying a document reference number.
Usage: M1

DTM DATE/TIME/PERIOD

Function: A segment specifying the date or expiry date of the reference document.
Usage: D..2

SG33 TAX-MOA

Function: A group of segments specifying tax related information for the line item.
Usage: D..5
Notes: The MOA segment may be required by tax regulations.

TAX DUTY/TAX/FEE DETAILS

Function: A segment specifying the type of tax, category and rate.
Usage: M1

MOA MONETARY AMOUNT

Function: A segment specifying the monetary amount related to the type of tax, category and rate.
Usage: D 1

SG38 ALC-SG39-SG40-SG41-SG43

Function: A group of segments specifying allowances and/or charges and related tax information for the line item.
Usage: O..5
Notes: Allowances and/or charges at header level and line level are independent, i.e. line level does not override header level.
Both may occur.
SG39 is only used if the allowance or charge is quantity related.
SG40 is only used if the allowance or charge is percentage based
SG41 is only used if the allowance or charge is an absolute monetary amount.
Use only one of SG96, SG40 and SG41.
SG43 is only used if tax or duty apply to the allowance or charge.

ALC ALLOWANCE OR CHARGE

Function: A segment specifying an allowance or charge and the calculation sequence.
Usage: M1

SG39 QTY

Function: A group of segments specifying quantity information for an allowance or charge.
Usage: D 1
Notes:

QTY QUANTITY

Function: A segment specifying a quantity which forms the basis for an allowance or charge.
Usage: M1

SG40 PCD

Function: A group of segments specifying an allowance or charge as a percentage.
Usage: D 1
Notes:

PCD PERCENTAGE DETAILS

Function: A segment specifying an allowance or charge percentage.
Usage: M1

SG41 MOA

Function: A group of segments specifying an allowance or charge as a monetary amount.
Usage: D 1
Notes:

MOA MONETARY AMOUNT

Function: A segment specifying the monetary amount.
Usage: M1

SG43 TAX-MOA

Function: A group of segments specifying tax related information for an allowance or charge.
Usage: D..5
Notes: Usage depends on the law of the country(ies) involved.
The law and rates may vary from country to country and are to be defined by national guidelines.
The MOA segment is sent if the monetary amount of tax or duty is required to be sent.

TAX DUTY/TAX/FEE DETAILS

Function: A segment specifying the type of tax, category and rate applicable to the allowance or charge.
Usage: M1

MOA MONETARY AMOUNT

Function: A segment specifying the monetary amount related to tax on the allowance or charge.
Usage: D 1

SG47 RCS-RFF-DTM-FTX

Function: A group of segments specifying embargo information for the line item.
Usage: D..4
Notes: The RFF and related DTM segments must be sent where required by local law.
The FTX segment must only be sent if local law requires text to accompany the embargo information.

RCS REQUIREMENTS AND CONDITIONS

Function: A segment identifying an embargo restriction for the electronics industry.
Usage: M1

RFF REFERENCE

Function: A segment specifying a reference number to the embargo restriction.
Usage: D 1

DTM DATE/TIME/PERIOD

Function: A segment specifying a date of the reference number.
Usage: D..2

FTX FREE TEXT

Function: A segment providing free form or coded text information related to the embargo restriction.
Usage: D..5

UNS SECTION CONTROL

Function: A service segment separating detail and summary section.
Usage: M1

SG49 MOA

Function: A group of segments specifying monetary totals for the whole message.
Usage: M..10
Notes: Amounts required to be expressed in a target currency are shown using repeats of the MOA with the currency qualified.

MOA MONETARY AMOUNT

Function: A segment specifying a monetary total.
Usage: M1

SG51 TAX-MOA

Function: A group of segments specifying per tax type, category and rate the total tax amount summary of the tax amounts provided in the heading and detail section, including tax on allowances and charges.
Usage: D..10
Notes: One occurrence of the segment group must be sent for each combination of tax type and rate occurring in the document.
If there are no tax amounts in the detail section this segment group is not sent.
The same amount of tax may be required to be expressed in two currencies. The MOA segment may therefore occur twice.

TAX DUTY/TAX/FEE DETAILS

Function: A segment specifying the tax type, category and rate to be summarised.
Usage: M1

MOA MONETARY AMOUNT

Function: A segment specifying the summary amount for the tax type, category and rate.
Usage: D..2

SG52 ALC-MOA

Function: A group of segments specifying the summary of the allowances and charges as specified in the heading and detail sections.
Usage: D..2
Notes:

ALC ALLOWANCE OR CHARGE

Function: A segment identifying an allowance or charge.
Usage: M1

MOA MONETARY AMOUNT

Function: A segment specifying the monetary amount.
Usage: R1

UNT MESSAGE TRAILER

Function: A service segment ending, and providing information for checking the completeness of a message.
Usage: M1

SEGMENT DETAILS

UNH

UNH MESSAGE HEADER

Function: A service segment heading, and uniquely identifying the message.

Usage : M1

Notes : Refer to EDIFICE Utilisation of the UN/EDIFACT Service Segments, Issue EDSS04

Ref.	Rep.	Name		EDIFICE Utilisation
0062	an..14	M MESSAGE REFERENCE NUMBER	M	Transmission message count from 1
S009		M MESSAGE IDENTIFIER	M	
0065	an..6	M Message type identifier	M	INVOIC = Invoice message
0052	an..3	M Message type version number	M	D = Draft version/UN/EDIFACT Directory
0054	an..3	M Message type release number	M	97A = Release 1997 - A
0051	an..2	M Controlling agency	M	UN = UN/CEFACT
0057	an..6	C Association assigned code	R	EDIN05 = Traditional Invoice Issue EDIN05
0068	an..35	C COMMON ACCESS REFERENCE	N	
S010		C STATUS OF THE TRANSFER	N	
0070	n..2	M Sequence message transfer number	N	
0073	a1	C First/last sequence message transfer indication	N	

BGM BEGINNING OF MESSAGE

Function: A segment uniquely identifying the message by means of its coded name and number.

Usage : M1

Notes :

Ref.	Rep.	Name		EDIFICE Utilisation
C002		C DOCUMENT/MESSAGE NAME	R	
1001	an..3	C Document/message name, coded	R	325 = Proforma invoice Document/message serving as a preliminary invoice, containing - on the whole - the same information as the final invoice, but not actually claiming payment. 380 = Commercial invoice Document/message claiming payment for goods or services supplied under conditions agreed between seller and buyer. 381 = Credit note Document/message for providing credit information to the relevant party. 383 = Debit note Document/message for providing debit information to the relevant party. 395 = Consignment invoice Commercial invoice that covers a transaction other than one involving in a sale. Document/message providing information about goods supplied on consignment whereby they remain the property of the supplier and payment is not yet claimed.
1131	an..3	C Code list qualifier	N	
3055	an..3	C Code list responsible agency, coded	N	
1000	an..35	C Document/message name	N	
C106		C DOCUMENT/MESSAGE IDENTIFICATION	R	
1004	an..35	C Document/message number	R	Unique document identity
1056	an..9	C Version	N	
1060	an..6	C Revision number	N	
1225	an..3	C MESSAGE FUNCTION, CODED	N	
4343	an..3	C RESPONSE TYPE, CODED	N	

DTM DATE/TIME/PERIOD

Function: A segment specifying the date of creation of the message and other dates relevant to the whole message.

Usage : M..3

Notes : At least one DTM segment must be present, specifying the document creation date.
 In DE 2005, code '11' should only be used if there is only one shipment per invoice.

Ref.	Rep.	Name		EDIFICE Utilisation
C507		M DATE/TIME/PERIOD	M	
2005	an..3	M Date/time/period qualifier	M	11 = Despatch date and or time 131 = Tax point date 137 = Document/message date/time Date when the document is created.
2380	an..35	C Date/time/period	R	
2379	an..3	C Date/time/period format qualifier	R	102 = CCYMMDD 203 = CCYMMDDHHMM 303 = CCYMMDDHHMMZZZ ZZZ = Time zone 304 = CCYMMDDHHMMSSZZZ ZZZ = Time zone X03 = CCYMMDDHHMMZZZZZ (*) ZZZZZ = Time zone X04 = CCYMMDDHHMMSSZZZZZ (*) ZZZZZ = Time zone (*) EDIFICE code

FTX FREE TEXT

Function: A segment providing free form or coded text information, applicable to the whole message.

Usage : D..5

Notes : This segment must only be present if a declaration is required by law or regulations to be expressed in text.

EDIFICE recommends not to use FTX segments.

The language must be specified in DE 3453 if required by regulations.

Where possible, use CO C107 rather than CO C108.

Ref.	Rep.	Name		EDIFICE Utilisation
4451	an..3	M TEXT SUBJECT QUALIFIER	M	CUS = Customs declaration information INV = Invoice instruction PRD = Product information STN = Statutory notice (*) ZZZ = Mutually defined
4453	an..3	C TEXT FUNCTION, CODED	R	(*) EDIFICE code 1 = Text for subsequent use The occurrence of this text does not affect invoice processing. 3 = Text for immediate use Text must be read before processing the invoice.
C107		C TEXT REFERENCE	A	
4441	an..17	M Free text identification	M	
1131	an..3	C Code list qualifier	N	
3055	an..3	C Code list responsible agency, coded	N	
C108		C TEXT LITERAL	D	
4440	an..70	M Free text	M	
4440	an..70	C Free text	O	
4440	an..70	C Free text	O	
4440	an..70	C Free text	O	
4440	an..70	C Free text	O	
3453	an..3	C LANGUAGE, CODED	D	Use ISO 639

SG1 RFF-DTM

RFF REFERENCE

Function: A segment specifying a document reference number.

Usage : M1

Notes :

Ref.	Rep.	Name	EDIFICE Utilisation	
C506	M	REFERENCE	M	

Ref.	Rep.	Name		EDIFICE Utilisation
1153	an..3	M Reference qualifier	M	<p>AAB = Proforma invoice number AAD = Contract addendum number AAK = Despatch advice number AAN = Delivery schedule number ABT = Customs declaration number AG = Agent's shipment number (*) ALO = Receiving advice number AWB = Air waybill number BM = Bill of lading number BO = Blanket order number CO = Buyers order number CR = Customer reference number CT = Contract number DQ = Delivery note number EX = Export licence number FI = File line identifier File generation number Reference to TAXCON in the UK GC = Government contract number IP = Import licence number IV = Invoice number Must be referenced if this transaction is a debit or credit note LC = Letter of credit number MA = Ship notice/manifest number MH = Manufacturing order number NA = North American hazardous goods classification number OI = Previous invoice number ON = Order number (purchase) PK = Packing list number PL = Price list number PR = Price quote number SS = Sellers reference number UN = United Nations dangerous goods (UNDG) number VN = Order number (vendor) The following codes are used in the business area of components distribution management. XAB = A to B transfer reference number (*) XAD = Agent/dealer's commission, statement of account (*) XBB = Billback reference number (*) XBP = Backlog protection reference number (*) XCI = Clean inventory bonus reference number (*) XMD = Marketing Development Fund reference nummern (*) XOR = Obsolete recall reference number (*) XPA = Price adjustment reference number (*) XPM = Product malfunction reference number (*) XPP = Price protection reference number (*) XQA = Quantity adjustment reference number (*) XRM = Returned material authorisation reference (*) XRP = Reverse price protection reference number (*) XRB = Rebate program reference number (*) XSA = Scrap allowance reference number (*) XSD = Ship & debit reference number (*) XSR = Stock rotation reference number (*) ZZZ = Mutually defined reference number (*) EDIFICE code</p>
1154	an..35	C Reference number	R	
1156	an..6	C Line number	N	
4000	an..35	C Reference version number	N	

SG1 RFF-DTM**DTM DATE/TIME/PERIOD**

Function: A segment specifying the date or expiry date of the reference document.

Usage : D..2

Notes :

Ref.	Rep.	Name		EDIFICE Utilisation
C507		M DATE/TIME/PERIOD	M	
2005	an..3	M Date/time/period qualifier	M	36 = Expiry date 171 = Reference date/time
2380	an..35	C Date/time/period	R	
2379	an..3	C Date/time/period format qualifier	R	102 = CCYMMDD 203 = CCYMMDDHHMM 303 = CCYMMDDHHMMZZZ ZZZ = Time zone 304 = CCYMMDDHHMMSSZZZ ZZZ = Time zone X03 = CCYMMDDHHMMZZZZZ (*) ZZZZZ = Time zone X04 = CCYMMDDHHMMSSZZZZZ (*) ZZZZZ = Time zone (*) EDIFICE code

SG2 NAD-FII-SG3-SG5

NAD NAME AND ADDRESS

Function: A segment identifying the function and coded identification, name and address of a party involved.

Usage : M1

Notes : It is advised that the party identification CO C082 be used. When CO C082 cannot be used it is recommended to use the structured name and address CO C080 through DE 3207 rather than the unstructured one CO C058.

Ref.	Rep.	Name		EDIFICE Utilisation
3035	an..3	M PARTY QUALIFIER	M	BY = Buyer CN = Consignee DL = Factor Company offering a financial service whereby a firm sells or transfers title to its accounts receivable to the factoring company. DP = Delivery party This is the ship to address EX = Exporter II = Issuer of invoice IV = Invoicee This is the bill to address PE = Payee SE = Seller SF = Ship from SR = Seller's agent/representative
C082		C PARTY IDENTIFICATION DETAILS	A	
3039	an..35	M Party id. identification	M	
1131	an..3	C Code list qualifier	N	
3055	an..3	C Code list responsible agency, coded	R	9 = EAN (International Article Numbering association) 16 = DUNS (Dun & Bradstreet) 91 = Assigned by seller or seller's agent 92 = Assigned by buyer or buyer's agent
C058		C NAME AND ADDRESS	D	
3124	an..35	M Name and address line	M	
3124	an..35	C Name and address line	O	
3124	an..35	C Name and address line	O	
3124	an..35	C Name and address line	O	
3124	an..35	C Name and address line	O	
C080		C PARTY NAME	D	
3036	an..35	M Party name	M	
3036	an..35	C Party name	O	
3036	an..35	C Party name	O	
3036	an..35	C Party name	O	
3036	an..35	C Party name	O	
3036	an..35	C Party name	O	
3045	an..3	C Party name format, coded	N	
C059		C STREET	D	
3042	an..35	M Street and number/p.o. box	M	
3042	an..35	C Street and number/p.o. box	O	
3042	an..35	C Street and number/p.o. box	O	
3042	an..35	C Street and number/p.o. box	O	
3164	an..35	C CITY NAME	D	
3229	an..9	C COUNTRY SUB-ENTITY IDENTIFICATION	D	
3251	an..9	C POSTCODE IDENTIFICATION	D	
3207	an..3	C COUNTRY, CODED	D	Use ISO 3166, 2 alpha code

SG2 NAD-FII-SG3-SG5**FII FINANCIAL INSTITUTION INFORMATION**

Function: A segment identifying the financial institution and account details of the payee.

Usage : D 1

Notes : EDIFICE recommends that the Financial institution be identified using the ISO Bank Identification Code (BIC) in DE 3433, qualified by DE 1131 and DE 3055. If DE 3433 cannot be used DE 3432 and DE 3436 may be used.

Ref.	Rep.	Name		EDIFICE Utilisation
3035	an..3	M PARTY QUALIFIER	M	BK = Financial institution
C078		C ACCOUNT IDENTIFICATION	R	
3194	an..35	C Account holder number	R	
3192	an..35	C Account holder name	O	
3192	an..35	C Account holder name	O	
6345	an..3	C Currency, coded	N	
C088		C INSTITUTION IDENTIFICATION	R	
3433	an..11	C Institution name identification	A	
1131	an..3	C Code list qualifier	A	25 = Bank identification
3055	an..3	C Code list responsible agency, coded	A	5 = ISO (International Organization for Standardization)
3434	an..17	C Institution branch number	A	
1131	an..3	C Code list qualifier	N	
3055	an..3	C Code list responsible agency, coded	N	
3432	an..70	C Institution name	D	
3436	an..70	C Institution branch place	D	
3207	an..3	C COUNTRY, CODED	A	Use ISO 3166, 2 alpha code

SG3 RFF**RFF REFERENCE**

Function: A segment specifying a company specific reference.

Usage : M1

Notes : In DE 1153 values 'XA' and 'ZCV' need only be sent if required by law or regulations.

Ref.	Rep.	Name		EDIFICE Utilisation
C506		M REFERENCE	M	
1153	an..3	M Reference qualifier	M	FC = Fiscal number GN = Government reference number TL = Tax exemption license number VA = VAT registration number XA = Company/place registration number ZCV = Capital value (Equity) (*) (*) EDIFICE code
1154	an..35	C Reference number	R	
1156	an..6	C Line number	N	
4000	an..35	C Reference version number	N	

SG5 CTA-COM**CTA CONTACT INFORMATION**

Function: A segment identifying a person or department, and their function.

Usage : M1

Notes :

Ref.	Rep.	Name	EDIFICE Utilisation	
3139	an..3	C CONTACT FUNCTION, CODED	R	AR = Accounts receivable contact DE = Department/employee to execute export procedures SR = Sales representative or department
C056		C DEPARTMENT OR EMPLOYEE DETAILS	R	If a code is available use DE 3413, otherwise use DE 3412.
3413	an..17	C Department or employee identification	D	
3412	an..35	C Department or employee	D	

SG5 CTA-COM**COM COMMUNICATION CONTACT**

Function: A segment identifying a communications type and number.

Usage : 0..3

Notes :

Ref.	Rep.	Name		EDIFICE Utilisation
C076		M COMMUNICATION CONTACT	M	
3148	an..512	M Communication number	M	
3155	an..3	M Communication channel qualifier	M	EM = Electronic mail FX = Telefax TE = Telephone

SG7 CUX-DTM

CUX CURRENCIES

Function: A segment specifying currencies and an exchange rate for all prices and/or amounts.

Usage : M1

Notes : Prices and amounts are all stated in the reference currency (which is the invoice currency).

Amounts in the reference currency may also be converted to other target currencies.

The general rule for calculating the target currency amount is as follows:

Amount in Reference currency x Rate of exchange = Amount in Target currency.

The rate of exchange may be required, depending on customs or fiscal regulations.

Ref.	Rep.	Name	EDIFICE Utilisation	
C504		C CURRENCY DETAILS	R	
6347	an..3	M Currency details qualifier	M	2 = Reference currency 3 = Target currency
6345	an..3	C Currency, coded	R	Use ISO 4217, 3 alpha code
6343	an..3	C Currency qualifier	R	
6348	n..4	C Currency rate base	N	
C504		C CURRENCY DETAILS	D	
6347	an..3	M Currency details qualifier	M	2 = Reference currency 3 = Target currency
6345	an..3	C Currency, coded	R	Use ISO 4217, 3 alpha code
6343	an..3	C Currency qualifier	R	
6348	n..4	C Currency rate base	O	
5402	n..12	C RATE OF EXCHANGE	D	
6341	an..3	C CURRENCY MARKET EXCHANGE, CODED	N	

SG7 CUX-DTM**DTM DATE/TIME/PERIOD**

Function: A segment specifying the date or period of the currency exchange rate.

Usage : D 1

Notes :

Ref.	Rep.	Name		EDIFICE Utilisation
C507		M DATE/TIME/PERIOD	M	
2005	an..3	M Date/time/period qualifier	M	134 = Rate of exchange date/time
2380	an..35	C Date/time/period	R	
2379	an..3	C Date/time/period format qualifier	R	102 = CCYYMMDD 203 = CCYYMMDDHHMM 303 = CCYYMMDDHHMMZZZ ZZZ = Time zone 304 = CCYYMMDDHHMMSSZZZ ZZZ = Time zone 610 = CCYYMM 616 = CCYYWW Week within the calendar year (1st week of January = week 01) X03 = CCYYMMDDHHMMZZZZZ (*) ZZZZZ = Time zone X04 = CCYYMMDDHHMMSSZZZZZ (*) ZZZZZ = Time zone (*) EDIFICE code

SG8 PAT-DTM-PCD-MOA

PAT PAYMENT TERMS BASIS

Function: A segment specifying the payment terms type and associated time information.

Usage : M1

Notes : CO C112 is advised in accordance with the table in the notes on SG8. CO C110 should only be used if CO C112 cannot be used.

Ref.	Rep.	Name		EDIFICE Utilisation
4279	an..3	M PAYMENT TERMS TYPE QUALIFIER	M	1 = Basic 2 = End of month 3 = Fixed date 22 = Discount
C110		C PAYMENT TERMS	D	
4277	an..17	M Terms of payment identification	M	AGREE = Payment by agreement UN/ECE Recommendation no. 17, PAYTERMS - Abbreviations for Terms of Payment
1131	an..3	C Code list qualifier	N	
3055	an..3	C Code list responsible agency, coded	N	
4276	an..35	C Terms of payment	R	
4276	an..35	C Terms of payment	O	
C112		C TERMS/TIME INFORMATION	A	
2475	an..3	M Payment time reference, coded	M	5 = Date of invoice 6 = Date of credit note
2009	an..3	C Time relation, coded	R	3 = After reference After reference date
2151	an..3	C Type of period, coded	D	CD = Calendar day (includes weekends and holidays)
2152	n..3	C Number of periods	D	Number of days

SG8 PAT-DTM-PCD-MOA

DTM DATE/TIME/PERIOD

Function: A segment specifying the date relating to the payment terms.

Usage : D 1

Notes :

Ref.	Rep.	Name		EDIFICE Utilisation
C507		M DATE/TIME/PERIOD	M	
2005	an..3	M Date/time/period qualifier	M	13 = Terms net due date
2380	an..35	C Date/time/period	R	
2379	an..3	C Date/time/period format qualifier	R	102 = CCYMMDD 203 = CCYMMDDHHMM 303 = CCYMMDDHHMMZZZ ZZZ = Time zone 304 = CCYMMDDHHMMSSZZZ ZZZ = Time zone X03 = CCYMMDDHHMMZZZZ (*) ZZZZ = Time zone X04 = CCYMMDDHHMMSSZZZZ (*) ZZZZ = Time zone (*) EDIFICE code

SG8 PAT-DTM-PCD-MOA**PCD PERCENTAGE DETAILS**

Function: A segment specifying the discount percentage related to the payment terms.

Usage : D 1

Notes :

Ref.	Rep.	Name	EDIFICE Utilisation	
C501		M PERCENTAGE DETAILS	M	
5245	an..3	M Percentage qualifier	M	12 = Discount
5482	n..10	C Percentage	R	Discount percentage
5249	an..3	C Percentage basis, coded	N	
1131	an..3	C Code list qualifier	N	
3055	an..3	C Code list responsible agency, coded	N	

SG8 PAT-DTM-PCD-MOA**MOA MONETARY AMOUNT**

Function: A segment specifying the amount of settlement discount related to the payment terms.

Usage : D 1

Notes :

Ref.	Rep.	Name	EDIFICE Utilisation	
C516		M MONETARY AMOUNT	M	
5025	an..3	M Monetary amount type qualifier	M	52 = Discount amount
5004	n..18	C Monetary amount	R	
6345	an..3	C Currency, coded	N	
6343	an..3	C Currency qualifier	N	
4405	an..3	C Status, coded	N	

SG15 ALC-SG18-SG19-SG21

ALC ALLOWANCE OR CHARGE

Function: A segment specifying an allowance or charge and the calculation sequence.

Usage : M1

Notes : Either CO C552 or CO C214 must be used but not both.

Use DE 1227 to specify sequence of calculation if more than one occurrence of ALC is used.

Ref.	Rep.	Name		EDIFICE Utilisation
5463	an..3	M ALLOWANCE OR CHARGE QUALIFIER	M	A = Allowance C = Charge
C552		C ALLOWANCE/CHARGE INFORMATION	D	
1230	an..35	C Allowance or charge number	D	If CO C552 is sent either DE 1230 or DE 5189 must be used but not both.
5189	an..3	C Charge/allowance description, coded	D	
4471	an..3	C SETTLEMENT, CODED	N	To specify the sequence in which an allowance or charge is calculated. The number must be in ascending order, with no gaps and starting from 1. The basis for calculation of the first allowance or charge is the total line items amount (SG49 MOA, DE 5004, where DE 5025 = '79'). The basis for calculation of any subsequent allowance or charge is the amount resulting from the previous calculation.
1227	an..3	C CALCULATION SEQUENCE INDICATOR, CODED	D	
C214		C SPECIAL SERVICES IDENTIFICATION	D	See UN/EDIFACT code list
7161	an..3	C Special services, coded	M	
1131	an..3	C Code list qualifier	N	
3055	an..3	C Code list responsible agency, coded	N	
7160	an..35	C Special service	N	
7160	an..35	C Special service	N	

SG18 PCD**PCD PERCENTAGE DETAILS**

Function: A segment specifying an allowance or charge percentage applying to the invoiced value.

Usage : M1

Notes :

Ref.	Rep.	Name	EDIFICE Utilisation	
C501		M PERCENTAGE DETAILS	M	
5245	an..3	M Percentage qualifier	M	3 = Allowance or charge
5482	n..10	C Percentage	R	
5249	an..3	C Percentage basis, coded	R	13 = Invoice value
				Referenced percentage applies to the invoiced value
1131	an..3	C Code list qualifier	N	
3055	an..3	C Code list responsible agency, coded	N	

SG19 MOA**MOA MONETARY AMOUNT**

Function: A segment specifying the total monetary amount.

Usage : M1

Notes :

Ref.	Rep.	Name	EDIFICE Utilisation	
C516		M MONETARY AMOUNT	M	
5025	an..3	M Monetary amount type qualifier	M	8 = Allowance or charge amount
5004	n..18	C Monetary amount	R	Total amount.
6345	an..3	C Currency, coded	N	
6343	an..3	C Currency qualifier	N	
4405	an..3	C Status, coded	N	

SG21 TAX-MOA

TAX DUTY/TAX/FEE DETAILS

Function: A segment specifying the type of tax, category and rate.

Usage : M1

Notes : CO C243 must be sent if the rate is required to be specified at the time of invoicing. If no rate is specified the amount of tax or duty must be sent in the following MOA segment.

Ref.	Rep.	Name		EDIFICE Utilisation
5283	an..3	M DUTY/TAX/FEE FUNCTION QUALIFIER	M	5 = Customs duty 7 = Tax
C241		C DUTY/TAX/FEE TYPE	R	
5153	an..3	C Duty/tax/fee type, coded	R	GST = Goods and services tax Used when DE 5283 is '7' IMP = Import tax Used when DE 5283 is '5' VAT = Value added tax Used when DE 5283 is '7'
1131	an..3	C Code list qualifier	N	
3055	an..3	C Code list responsible agency, coded	N	
5152	an..35	C Duty/tax/fee type	N	
C533		C DUTY/TAX/FEE ACCOUNT DETAIL	N	
5289	an..6	M Duty/tax/fee account identification	N	
1131	an..3	C Code list qualifier	N	
3055	an..3	C Code list responsible agency, coded	N	
5286	an..15	C DUTY/TAX/FEE ASSESSMENT BASIS	N	
C243		C DUTY/TAX/FEE DETAIL	D	
5279	an..7	C Duty/tax/fee rate identification	N	
1131	an..3	C Code list qualifier	N	
3055	an..3	C Code list responsible agency, coded	N	
5278	an..17	C Duty/tax/fee rate	R	Tax rate
5273	an..12	C Duty/tax/fee rate basis identification	N	
1131	an..3	C Code list qualifier	N	
3055	an..3	C Code list responsible agency, coded	N	
5305	an..3	C DUTY/TAX/FEE CATEGORY, CODED	A	A = Mixed tax rate AA = Lower rate VAT at a lower rate than standard rate B = Transferred (VAT) S = Standard rate E = Exempt from tax O = Services outside scope of tax Z = Zero rated goods
3446	an..20	C PARTY TAX IDENTIFICATION NUMBER	N	

SG21 TAX-MOA**MOA MONETARY AMOUNT**

Function: A segment specifying the monetary amount related to tax on the allowance or charge.

Usage : D 1

Notes :

Ref.	Rep.	Name	EDIFICE Utilisation	
C516		M MONETARY AMOUNT	M	
5025	an..3	M Monetary amount type qualifier	M	161 = Duty, tax or fee amount
5004	n..18	C Monetary amount	R	
6345	an..3	C Currency, coded	N	
6343	an..3	C Currency qualifier	N	
4405	an..3	C Status, coded	N	

SG25 LIN-PIA-IMD-QTY-ALI-DTM-FTX-SG26-SG28-SG29-SG33-SG38-SG47

LIN LINE ITEM

Function: A segment identifying a line item by its item number, and agreed to be the primary reference number between the buyer and seller.

The segment also carries a sequence number assigned to the line item within the message.

Usage : M1

Notes : For a line item referring to a service which has no coded identification, the primary identification is found in segment IMD, rather than in CO C212.

Ref.	Rep.	Name	EDIFICE Utilisation	
1082	an..6	C LINE ITEM NUMBER	R	It is required to assign a number to the line items within a message. The number is assigned by the sender of the message. The first line item within a message will be numbered 1 and further line items will be incremented by 1 for each new line. Primary reference BP = Buyer's part number DI = Distributor's part number (*) EN = International Article Numbering Association (EAN) MF = Manufacturer's (producer's) article number UP = UPC (Universal product code) VP = Vendor's (seller's) part number (*) EDIFICE code 9 = EAN (International Article Numbering association) 89 = Assigned by distributor 90 = Assigned by manufacturer 91 = Assigned by seller or seller's agent 92 = Assigned by buyer or buyer's agent 113 = US, UCC (Uniform Code Council)
1229	an..3	C ACTION REQUEST/NOTIFICATION, CODED	N	
C212		C ITEM NUMBER IDENTIFICATION	A	
7140	an..35	C Item number	R	
7143	an..3	C Item number type, coded	R	
1131	an..3	C Code list qualifier	N	
3055	an..3	C Code list responsible agency, coded	R	
C829		C SUB-LINE INFORMATION	N	
5495	an..3	C Sub-line indicator, coded	N	
1082	an..6	C Line item number	N	
1222	n..2	C CONFIGURATION LEVEL	N	
7083	an..3	C CONFIGURATION, CODED	N	

SG25 LIN-PIA-IMD-QTY-ALI-DTM-FTX-SG26-SG28-SG29-SG33-SG38-SG47**PIA ADDITIONAL PRODUCT ID**

Function: A segment providing additional or substitute identification numbers for the line item.

Usage : D..2

Notes : The 5 internal repetitions of CO C212 may be used, but EDIFICE recommends to only use the first occurrence.

Ref.	Rep.	Name		EDIFICE Utilisation
4347	an..3	M PRODUCT ID. FUNCTION QUALIFIER	M	1 = Additional identification 4 = Substituted for
C212		M ITEM NUMBER IDENTIFICATION	M	
7140	an..35	C Item number	R	
7143	an..3	C Item number type, coded	R	AA = Product version number Release number of a product BP = Buyer's part number CL = Color number CV = Customs article number DI = Distributor's part number (*) DR = Drawing revision number DW = Drawing EC = Engineering change level EN = International Article Numbering association (EAN) GS = General specification number HS = Harmonised system Code classifying products according to the Customs Cooperation Council Nomenclature 'Harmonized System' LSR = Lower serial number of range (*) The first in a series of serial numbers MF = Manufacturer's (producer's) article number MN = Model number PJ = Product date code (*) The encoded date of a product PV = Promotional variant Code of a product promotion variant SN = Serial number SRV = EAN.UCC Global Trade Item Number UP = UPC (Universal product code) USR = Upper serial number of range (*) The last in a series of serial numbers VN = Vendor item number Use this code for non-physical product (services) VP = Vendor's (seller's) part number (*) EDIFICE code
1131	an..3	C Code list qualifier	N	
3055	an..3	C Code list responsible agency, coded	R	9 = EAN (International Article Numbering association) 89 = Assigned by distributor 90 = Assigned by manufacturer 91 = Assigned by seller or seller's agent 92 = Assigned by buyer or buyer's agent 113 = US, UCC (Uniform Code Council)
C212		C ITEM NUMBER IDENTIFICATION	O	As for first CO C212
7140	an..35	C Item number	R	
7143	an..3	C Item number type, coded	R	
1131	an..3	C Code list qualifier	N	
3055	an..3	C Code list responsible agency, coded	R	
C212		C ITEM NUMBER IDENTIFICATION	O	As for first CO C212
7140	an..35	C Item number	R	
7143	an..3	C Item number type, coded	R	
1131	an..3	C Code list qualifier	N	
3055	an..3	C Code list responsible agency, coded	R	
C212		C ITEM NUMBER IDENTIFICATION	O	As for first CO C212
7140	an..35	C Item number	R	

Ref.	Rep.	Name	EDIFICE Utilisation	
7143	an..3	C Item number type, coded	R	As for first CO C212
1131	an..3	C Code list qualifier	N	
3055	an..3	C Code list responsible agency, coded	R	
C212		C ITEM NUMBER IDENTIFICATION	O	
7140	an..35	C Item number	R	
7143	an..3	C Item number type, coded	R	
1131	an..3	C Code list qualifier	N	
3055	an..3	C Code list responsible agency, coded	R	

SG25 LIN-PIA-IMD-QTY-ALI-DTM-FTX-SG26-SG28-SG29-SG33-SG38-SG47

IMD ITEM DESCRIPTION

Function: A segment specifying an additional description in clear or coded form, for the line item.

Usage : D..3

Notes :

Ref.	Rep.	Name		EDIFICE Utilisation
7077	an..3	C ITEM DESCRIPTION TYPE, CODED	D	C = Code (from industry code list) F = Free-form 3 = Ship to stock 26 = Ship to line Use DE 7009 for a coded description. If no code is available use DE 7008 instead.
7081	an..3	C ITEM CHARACTERISTIC, CODED	O	
C273		C ITEM DESCRIPTION	D	
7009	an..17	C Item description identification	A	
1131	an..3	C Code list qualifier	N	
3055	an..3	C Code list responsible agency, coded	N	
7008	an..35	C Item description	D	
7008	an..35	C Item description	O	
3453	an..3	C Language, coded	N	
7383	an..3	C SURFACE/LAYER INDICATOR, CODED	N	

SG25 LIN-PIA-IMD-QTY-ALI-DTM-FTX-SG26-SG28-SG29-SG33-SG38-SG47**QTY QUANTITY**

Function: A segment specifying the quantity information for the line item.

Usage : D1

Notes : For DE 6063 code values '61', '119', '124', '126' only apply to a credit note.

The measure unit qualifier used in DE 6411 applies to all the underlying QTY segments.

Ref.	Rep.	Name	EDIFICE Utilisation	
C186		M QUANTITY DETAILS	M	
6063	an..3	M Quantity qualifier	M	47 = Invoiced quantity 61 = Return quantity 119 = Short shipped Indication that part of the consignment was not shipped. 124 = Damaged goods 126 = Lost goods Quantity of goods that disappeared in transport.
6060	n..15	M Quantity	M	
6411	an..3	C Measure unit qualifier	R	Use the following codes from UN/ECE Recommendation no.20, Codes for Units of Measurement: CLT = centilitre CMT = centimetre GRM = gram KGM = kilogram KMT = kilometre (*) LTR = litre MGM = milligram MMT = millimetre MTK = square metre MTQ = cubic metre MTR = metre PCE = piece (*) (*) EDIFICE code, not included in UN/ECE Recommendation No. 20 Other codes should be previously agreed between trading partners.

SG25 LIN-PIA-IMD-QTY-ALI-DTM-FTX-SG26-SG28-SG29-SG33-SG38-SG47**ALI ADDITIONAL INFORMATION**

Function: A segment indicating that special conditions due to origin, customs preference, fiscal or commercial factors are applicable to the line item.

Usage : D1

Notes : DE 4183 is used if special conditions are applicable.

Ref.	Rep.	Name	EDIFICE Utilisation
3239	an..3	C COUNTRY OF ORIGIN, CODED	A Use ISO 3166, 2 alpha code
9213	an..3	C TYPE OF DUTY REGIME, CODED	O 1 = Origin subject to EC/EFTA preference 2 = Origin subject to other preference agreement
4183	an..3	C SPECIAL CONDITIONS, CODED	D 1 = Item for national preference 6 = Subject to bonus 9 = Freely available in EEC 16 = Subject to embargo restriction 18 = Item subject to national export restrictions 20 = Item subject to import restrictions BW = Bonded warehouse (*) A warehouse where goods remain under customs control and are not cleared for import. Strategic goods indicator. Only one of the following values can apply per product. SG1 = Controlled, industrial goods, not US origin (*) Controlled according to international regulation(s) for industrial (dual-use) goods, not US origin. SG2 = Controlled, industrial goods, US origin (*) Controlled according to international regulation(s) for industrial (dual-use) goods, US origin. SG3 = Controlled by US national regulation(s) (*) SG4 = Controlled by other national regulation(s) (*) SG5 = Controlled by Australian Group for chemical or biological warfare (CBW) (*) SG6 = Controlled by missile technology control regime (MTCR) (*) SG8 = Controlled, nuclear goods. Controlled according to international regulation(s) for nuclear goods (*) SG9 = Controlled, military goods. Controlled according to international regulation(s) for military goods (*) (*) EDIFICE code
4183	an..3	C SPECIAL CONDITIONS, CODED	O As for first DE 4183
4183	an..3	C SPECIAL CONDITIONS, CODED	O As for first DE 4183
4183	an..3	C SPECIAL CONDITIONS, CODED	O As for first DE 4183
4183	an..3	C SPECIAL CONDITIONS, CODED	O As for first DE 4183

SG25 LIN-PIA-IMD-QTY-ALI-DTM-FTX-SG26-SG28-SG29-SG33-SG38-SG47**DTM DATE/TIME/PERIOD**

Function: A segment specifying the engineering change level date as part of the additional identification for the line item.

Usage : D 1

Notes :

Ref.	Rep.	Name	EDIFICE Utilisation	
C507		M DATE/TIME/PERIOD	M	
2005	an..3	M Date/time/period qualifier	M	60 = Engineering change level date
2380	an..35	C Date/time/period	R	
2379	an..3	C Date/time/period format qualifier	R	102 = CCYYMMDD 203 = CCYYMMDDHHMM 303 = CCYYMMDDHHMMZZZ ZZZ = Time zone 304 = CCYYMMDDHHMMSSZZZ ZZZ = Time zone X03 = CCYYMMDDHHMMZZZZZ (*) ZZZZZ = Time zone X04 = CCYYMMDDHHMMSSZZZZZ (*) ZZZZZ = Time zone (*) EDIFICE code

SG25 LIN-PIA-IMD-QTY-ALI-DTM-FTX-SG26-SG28-SG29-SG33-SG38-SG47

FTX FREE TEXT

Function: A segment providing free form or coded text information for the line item.

Usage : D..5

Notes : EDIFICE recommends not to use FTX segments.
Where possible, use CO C107 rather than CO C108.

Ref.	Rep.	Name		EDIFICE Utilisation
4451	an..3	M TEXT SUBJECT QUALIFIER	M	IND = Commercial invoice item description 1 = Text for subsequent use 3 = Text for immediate use
4453	an..3	C TEXT FUNCTION, CODED	R	
C107		C TEXT REFERENCE	A	
4441	an..17	M Free text identification	M	
1131	an..3	C Code list qualifier	N	
3055	an..3	C Code list responsible agency, coded	N	
C108		C TEXT LITERAL	D	
4440	an..70	M Free text	M	
4440	an..70	C Free text	O	
4440	an..70	C Free text	O	
4440	an..70	C Free text	O	
4440	an..70	C Free text	O	
3453	an..3	C LANGUAGE, CODED	O	Use ISO 639

SG26 MOA**MOA MONETARY AMOUNT**

Function: A segment specifying the total monetary amount.

Usage : M1

Notes : The monetary amount is expressed in the reference currency.

Ref.	Rep.	Name		EDIFICE Utilisation
C516		M MONETARY AMOUNT	M	
5025	an..3	M Monetary amount type qualifier	M	40 = Customs value 203 = Line item amount
5004	n..18	C Monetary amount	R	This is the amount for the invoiced item, including all line allowances and charges relating to it. Item amount = (Quantity x Unit Price) + Charges - Allowances Zero priced items have this field set to zero
6345	an..3	C Currency, coded	N	
6343	an..3	C Currency qualifier	N	
4405	an..3	C Status, coded	N	

SG28 PRI

PRI PRICE DETAILS

Function: A segment specifying the line item price and the qualifying information.

Usage : M1

Notes : When DE 6411 = 'PCE', CO C509 is used as shown below:

```

+-----+
! SOLD BY SOLD BY BOX SOLD BY BATCH      !
! DE PIECE (set) (price break)            !
+-----+
!                                         !
! 5118 Unit Price Unit Price Unit Price   !
! per piece per box per batch             !
!                                         !
! 5284 1 Number of Number of              !
! units in box units per batch            !
!                                         !
+-----+

```

Ref.	Rep.	Name	EDIFICE Utilisation
C509		C PRICE INFORMATION	R
5125	an..3	M Price qualifier	M
5118	n..15	C Price	R
5375	an..3	C Price type, coded	R
5387	an..3	C Price type qualifier	N
5284	n..9	C Unit price basis	R
6411	an..3	C Measure unit qualifier	R
5213	an..3	C SUB-LINE PRICE CHANGE, CODED	N

EDIFICE Utilisation

AAB = Calculation gross
The price stated is the gross price to which allowances/charges (if any) must be applied.

Unit price excluding line allowance or charge.
CA = Catalogue
CT = Contract
DI = Distributor
DR = Dealer (*)
NC = No charge (*)
The price will be zero
QT = Quoted
(*) EDIFICE code

Use the following codes from UN/ECE Recommendation no.20, Codes for Units of Measurement:
CLT = centilitre
CMT = centimetre
GRM = gram
KGM = kilogram
KMT = kilometre (*)
LTR = litre
MGM = milligram
MMT = millimetre
MTK = square metre
MTQ = cubic metre
MTR = metre
PCE = piece (*)
(*) EDIFICE code, not included in UN/ECE Recommendation No. 20
Other codes should be previously agreed between trading partners.

SG29 RFF-DTM

RFF REFERENCE

Function: A segment specifying a document reference number.

Usage : M1

Notes : DE 1156 Line number may be required in order to cross-reference a line in a Purchase Order or a Despatch Advice, or, if within a Credit Note or a Debit Note, to an Invoice.

Ref.	Rep.	Name	EDIFICE Utilisation
C506	M	REFERENCE	M

Ref.	Rep.	Name		EDIFICE Utilisation
1153	an..3	M Reference qualifier	M	<p>AAB = Proforma invoice number AAD = Contract addendum number AAK = Despatch advice number AAN = Delivery schedule number ABT = Customs declaration number AFE = Export Control Commodity number (ECCN) AG = Agent's shipment number (*) ALO = Receiving advice number AWB = Air waybill number BM = Bill of lading number BO = Blanket order number CO = Buyers order number CR = Customer reference number</p> <p>Reference assigned by the customer to a transaction</p> <p>CT = Contract number DQ = Delivery note number EX = Export licence number GC = Government contract number IP = Import licence number IV = Invoice number</p> <p>Must be referenced if this transaction is a debit or credit note</p> <p>LC = Letter of credit number MA = Ship notice/manifest number MH = Manufacturing order number NA = North American hazardous classification number OI = Previous invoice number ON = Order number (purchase) PK = Packing list number PL = Price list number PR = Price quote number SS = Sellers reference number UN = United Nations dangerous goods (UNDG) number VN = Order number (vendor)</p> <p>The following codes are used in the business area of components distribution management.</p> <p>XAB = A to B transfer reference number (*) XAD = Agent/dealer's commission, statement of account (*) XBB = Billback reference number (*) XBP = Backlog protection reference number (*) XCI = Clean inventory bonus reference number (*) XMD = Marketing Development Fund reference number (*) XOR = Obsolete recall reference number (*) XPA = Price adjustment reference number (*) XPM = Product malfunction reference number (*) XPP = Price protection reference number (*) XQA = Quantity adjustment reference number (*) XRM = Returned material authorisation reference (*) XRP = Reverse price protection reference number (*) XRB = Rebate program reference number (*) XSA = Scrap allowance reference number (*) XSD = Ship & debit reference number (*) XSR = Stock rotation reference number (*) ZZZ = Mutually defined reference number</p> <p>(*) EDIFICE code</p>
1154	an..35	C Reference number	R	
1156	an..6	C Line number	D	
4000	an..35	C Reference version number	N	

SG29 RFF-DTM**DTM DATE/TIME/PERIOD**

Function: A segment specifying the date or expiry date of the reference document.

Usage : D..2

Notes :

Ref.	Rep.	Name		EDIFICE Utilisation
C507		M DATE/TIME/PERIOD	M	
2005	an..3	M Date/time/period qualifier	M	36 = Expiry date 171 = Reference date/time
2380	an..35	C Date/time/period	R	
2379	an..3	C Date/time/period format qualifier	R	102 = CCYMMDD 203 = CCYMMDDHHMM 303 = CCYMMDDHHMMZZZ ZZZ = Time zone 304 = CCYMMDDHHMMSSZZZ ZZZ = Time zone X03 = CCYMMDDHHMMZZZZ (*) ZZZZ = Time zone X04 = CCYMMDDHHMMSSZZZZ (*) ZZZZ = Time zone (*) EDIFICE code

SG33 TAX-MOA

TAX DUTY/TAX/FEE DETAILS

Function: A segment specifying the type of tax, category and rate.

Usage : M1

Notes : CO C243 must be sent if the rate is required to be specified at the time of invoicing. If no rate is specified the amount of tax or duty must be sent in the following MOA segment.

Ref.	Rep.	Name		EDIFICE Utilisation
5283	an..3	M DUTY/TAX/FEE FUNCTION QUALIFIER	M	5 = Customs duty 7 = Tax
C241		C DUTY/TAX/FEE TYPE	R	
5153	an..3	C Duty/tax/fee type, coded	R	GST = Goods and services tax Used when DE 5283 is '7' IMP = Import tax Used when DE 5283 is '5' VAT = Value added tax Used when DE 5283 is '7'
1131	an..3	C Code list qualifier	N	
3055	an..3	C Code list responsible agency, coded	N	
5152	an..35	C Duty/tax/fee type	N	
C533		C DUTY/TAX/FEE ACCOUNT DETAIL	N	
5289	an..6	M Duty/tax/fee account identification	N	
1131	an..3	C Code list qualifier	N	
3055	an..3	C Code list responsible agency, coded	N	
5286	an..15	C DUTY/TAX/FEE ASSESSMENT BASIS	N	
C243		C DUTY/TAX/FEE DETAIL	D	
5279	an..7	C Duty/tax/fee rate identification	N	
1131	an..3	C Code list qualifier	N	
3055	an..3	C Code list responsible agency, coded	N	
5278	an..17	C Duty/tax/fee rate	R	Tax rate
5273	an..12	C Duty/tax/fee rate basis identification	N	
1131	an..3	C Code list qualifier	N	
3055	an..3	C Code list responsible agency, coded	N	
5305	an..3	C DUTY/TAX/FEE CATEGORY, CODED	A	A = Mixed tax rate AA = Lower rate VAT at a lower rate than standard rate B = Transferred (VAT) S = Standard rate E = Exempt from tax O = Services outside scope of tax Z = Zero rated goods
3446	an..20	C PARTY TAX IDENTIFICATION NUMBER	N	

SG33 TAX-MOA**MOA MONETARY AMOUNT**

Function: A segment specifying the monetary amount related to the type of tax, category and rate.

Usage : D 1

Notes :

Ref.	Rep.	Name	EDIFICE Utilisation	
C516		M MONETARY AMOUNT	M	
5025	an..3	M Monetary amount type qualifier	M	161 = Duty, tax or fee amount
5004	n..18	C Monetary amount	R	
6345	an..3	C Currency, coded	N	
6343	an..3	C Currency qualifier	N	
4405	an..3	C Status, coded	N	

SG38 ALC-SG39-SG40-SG41-SG43

ALC ALLOWANCE OR CHARGE

Function: A segment specifying an allowance or charge and the calculation sequence.

Usage : M1

Notes : Either CO C552 or CO C214 must be used but not both. Use DE 1227 to specify sequence of calculation if more than one occurrence of ALC is used.

Ref.	Rep.	Name		EDIFICE Utilisation
5463	an..3	M ALLOWANCE OR CHARGE QUALIFIER	M	A = Allowance C = Charge
C552		C ALLOWANCE/CHARGE INFORMATION	D	Either DE 1230 or DE 5189 has to be used.
1230	an..35	C Allowance or charge number	D	
5189	an..3	C Charge/allowance description, coded	D	
4471	an..3	C SETTLEMENT, CODED	N	To specify the sequence in which an allowance or charge is calculated. The number must be in ascending order, with no gaps and starting from 1. The basis for calculation of the first allowance or charge is the amount for the line item which results from quantity (SG25 QTY, DE 6060, where DE 6063 = '47') multiplied by price (SG28 PRI, DE 5118). The basis for calculation of any subsequent allowance or charge is the amount for the line item resulting from the previous calculation.
1227	an..3	C CALCULATION SEQUENCE INDICATOR, CODED	D	
C214		C SPECIAL SERVICES IDENTIFICATION	D	See UN/EDIFACT code list
7161	an..3	C Special services, coded	M	
1131	an..3	C Code list qualifier	N	
3055	an..3	C Code list responsible agency, coded	N	
7160	an..35	C Special service	N	
7160	an..35	C Special service	N	

SG39 QTY**QTY QUANTITY**

Function: A segment specifying a quantity which forms the basis for an allowance or charge.

Usage : M1

Notes :

Ref.	Rep.	Name		EDIFICE Utilisation
C186		M QUANTITY DETAILS	M	
6063	an..3	M Quantity qualifier	M	2 = Charge 12 = Despatch quantity 47 = Invoiced quantity 49 = Chargeable distance 52 = Quantity per pack 61 = Return quantity 100 = Chargeable weight 101 = Chargeable gross weight 104 = Chargeable number of containers 106 = Chargeable number of packages 107 = Chargeable number of units 130 = Allowance
6060	n..15	M Quantity	M	
6411	an..3	C Measure unit qualifier	N	

SG40 PCD**PCD PERCENTAGE DETAILS**

Function: A segment specifying an allowance or charge percentage.

Usage : M1

Notes :

Ref.	Rep.	Name		EDIFICE Utilisation
C501		M PERCENTAGE DETAILS	M	
5245	an..3	M Percentage qualifier	M	3 = Allowance or charge
5482	n..10	C Percentage	R	
5249	an..3	C Percentage basis, coded	R	13 = Invoice value Referenced percentage applies to the invoiced value.
1131	an..3	C Code list qualifier	N	
3055	an..3	C Code list responsible agency, coded	N	

SG41 MOA**MOA MONETARY AMOUNT**

Function: A segment specifying the monetary amount.

Usage : M1

Notes :

Ref.	Rep.	Name	EDIFICE Utilisation	
C516		M MONETARY AMOUNT	M	
5025	an..3	M Monetary amount type qualifier	M	8 = Allowance or charge amount
5004	n..18	C Monetary amount	R	Total amount.
6345	an..3	C Currency, coded	N	
6343	an..3	C Currency qualifier	N	
4405	an..3	C Status, coded	N	

SG43 TAX-MOA

TAX DUTY/TAX/FEE DETAILS

Function: A segment specifying the type of tax, category and rate applicable to the allowance or charge.

Usage : M1

Notes : CO C243 must be sent if the rate is required to be specified at the time of invoicing. If no rate is specified the amount of tax or duty must be sent in the following MOA segment.

Ref.	Rep.	Name		EDIFICE Utilisation
5283	an..3	M DUTY/TAX/FEE FUNCTION QUALIFIER	M	5 = Customs duty 7 = Tax
C241		C DUTY/TAX/FEE TYPE	R	
5153	an..3	C Duty/tax/fee type, coded	R	GST = Goods and services tax Used when DE 5283 is '7' IMP = Import tax Used when DE 5283 is '5' VAT = Value added tax Used when DE 5283 is '7'
1131	an..3	C Code list qualifier	N	
3055	an..3	C Code list responsible agency, coded	N	
5152	an..35	C Duty/tax/fee type	N	
C533		C DUTY/TAX/FEE ACCOUNT DETAIL	N	
5289	an..6	M Duty/tax/fee account identification	N	
1131	an..3	C Code list qualifier	N	
3055	an..3	C Code list responsible agency, coded	N	
5286	an..15	C DUTY/TAX/FEE ASSESSMENT BASIS	N	
C243		C DUTY/TAX/FEE DETAIL	D	
5279	an..7	C Duty/tax/fee rate identification	N	
1131	an..3	C Code list qualifier	N	
3055	an..3	C Code list responsible agency, coded	N	
5278	an..17	C Duty/tax/fee rate	R	Tax rate
5273	an..12	C Duty/tax/fee rate basis identification	N	
1131	an..3	C Code list qualifier	N	
3055	an..3	C Code list responsible agency, coded	N	
5305	an..3	C DUTY/TAX/FEE CATEGORY, CODED	A	A = Mixed tax rate AA = Lower rate VAT at a lower rate than standard rate B = Transferred (VAT) S = Standard rate E = Exempt from tax O = Services outside scope of tax Z = Zero rated goods
3446	an..20	C PARTY TAX IDENTIFICATION NUMBER	N	

SG43 TAX-MOA**MOA MONETARY AMOUNT**

Function: A segment specifying the monetary amount related to tax on the allowance or charge.

Usage : D 1

Notes :

Ref.	Rep.	Name	EDIFICE Utilisation	
C516		M MONETARY AMOUNT	M	
5025	an..3	M Monetary amount type qualifier	M	161 = Duty, tax or fee amount
5004	n..18	C Monetary amount	R	
6345	an..3	C Currency, coded	N	
6343	an..3	C Currency qualifier	N	
4405	an..3	C Status, coded	N	

SG47 RCS-RFF-DTM-FTX**RCS REQUIREMENTS AND CONDITIONS**

Function: A segment identifying an embargo restriction for the electronics industry.

Usage : M1

Notes : The values entered in this segment are only used to enable access to the following segments in the segment group.

Ref.	Rep.	Name		EDIFICE Utilisation
7293	an..3	M SECTOR/SUBJECT IDENTIFICATION QUALIFIER	M	4 = Electronic industry
C550		C REQUIREMENT/CONDITION IDENTIFICATION	M	
7295	an..17	M Requirement/condition identification	M	EMBARGO
1131	an..3	C Code list qualifier	N	
3055	an..3	C Code list responsible agency, coded	N	
7294	an..35	C Requirement or condition	N	
1229	an..3	C ACTION REQUEST/NOTIFICATION, CODED	N	

SG47 RCS-RFF-DTM-FTX**RFF REFERENCE**

Function: A segment specifying a reference number to the embargo restriction.

Usage : D 1

Notes :

Ref.	Rep.	Name		EDIFICE Utilisation
C506		M REFERENCE	M	AEA = Government agency reference number AFE = Export Control Commodity number (ECCN) EB = Embargo permit number EN = Embargo number
1153	an..3	M Reference qualifier	M	
1154	an..35	C Reference number	R	
1156	an..6	C Line number	N	
4000	an..35	C Reference version number	N	

SG47 RCS-RFF-DTM-FTX

DTM DATE/TIME/PERIOD

Function: A segment specifying a date of the reference number.

Usage : D..2

Notes :

Ref.	Rep.	Name		EDIFICE Utilisation
C507		M DATE/TIME/PERIOD	M	
2005	an..3	M Date/time/period qualifier	M	36 = Expiry date 171 = Reference date/time
2380	an..35	C Date/time/period	R	
2379	an..3	C Date/time/period format qualifier	R	102 = CCYMMDD 203 = CCYMMDDHHMM 303 = CCYMMDDHHMMZZZ ZZZ = Time zone 304 = CCYMMDDHHMMSSZZZ ZZZ = Time zone X03 = CCYMMDDHHMMZZZZ (*) ZZZZ = Time zone X04 = CCYMMDDHHMMSSZZZZ (*) ZZZZ = Time zone (*) EDIFICE code

SG47 RCS-RFF-DTM-FTX**FTX FREE TEXT**

Function: A segment providing free form or coded text information related to the embargo restriction.
 Usage : D..5
 Notes : This segment must only be present if a declaration is required by law or regulations to be expressed in text.
 EDIFICE recommends not to use FTX segments.
 The language must be specified in DE 3453 if required by regulations.
 Where possible, use CO C107 rather than CO C108.

Ref.	Rep.	Name		EDIFICE Utilisation
4451	an..3	M TEXT SUBJECT QUALIFIER	M	LIN = Line item 1 = Text for subsequent use The occurrence of this text does not affect invoice 3 = Text for immediate use Text must be read before processing the invoice
4453	an..3	C TEXT FUNCTION, CODED	R	
C107		C TEXT REFERENCE	A	DCS = Destination control statement A statement from the supplier to the customer informing him of legal or other restrictions which limit the resale or re-export of the product.
4441	an..17	M Free text identification	M	
1131	an..3	C Code list qualifier	N	
3055	an..3	C Code list responsible agency, coded	N	
C108		C TEXT LITERAL	D	As for DE 4441
4440	an..70	M Free text	M	
4440	an..70	C Free text	O	
4440	an..70	C Free text	O	
4440	an..70	C Free text	O	
4440	an..70	C Free text	O	
3453	an..3	C LANGUAGE, CODED	D	Use ISO 639

UNS SECTION CONTROL

Function: A service segment separating detail and summary section.

Usage : M1

Notes :

Ref.	Rep.	Name	EDIFICE Utilisation	
0081	a1	M SECTION IDENTIFICATION	M	S = Detail/summary section separation

SG49 MOA**MOA MONETARY AMOUNT**

Function: A segment specifying a monetary total.

Usage : M1

Notes : DE 6345 is required when more than one currency is used in the invoice.

Ref.	Rep.	Name		EDIFICE Utilisation
C516		M MONETARY AMOUNT	M	
5025	an..3	M Monetary amount type qualifier	M	43 = Declared total Customs value 79 = Total line items amount The sum of all line item monetary amounts and allowances and charges at detail level. 86 = Message total monetary amount The sum of all line item monetary amounts, (which include allowances and charges at detail level), allowances and charges at header level and all tax and duty invoiced. 129 = Total amount subject to payment discount Total on which the settlement discount is calculated. 151 = Value insured
5004	n..18	C Monetary amount	R	
6345	an..3	C Currency, coded	D	Use ISO 4217, 3 alpha code
6343	an..3	C Currency qualifier	N	
4405	an..3	C Status, coded	N	

SG51 TAX-MOA

TAX DUTY/TAX/FEE DETAILS

Function: A segment specifying the tax type, category and rate to be summarised.

Usage : M1

Notes : CO C243 must be sent if the rate is required to be specified at the time of invoicing. If no rate is specified the amount of tax or duty must be sent in the following MOA segment.

Ref.	Rep.	Name		EDIFICE Utilisation
5283	an..3	M DUTY/TAX/FEE FUNCTION QUALIFIER	M	5 = Customs duty 7 = Tax
C241		C DUTY/TAX/FEE TYPE	R	
5153	an..3	C Duty/tax/fee type, coded	R	GST = Goods and services tax Used when DE 5283 is '7' IMP = Import tax Used when DE 5283 is '5' VAT = Value added tax Used when DE 5283 is '7'
1131	an..3	C Code list qualifier	N	
3055	an..3	C Code list responsible agency, coded	N	
5152	an..35	C Duty/tax/fee type	N	
C533		C DUTY/TAX/FEE ACCOUNT DETAIL	N	
5289	an..6	M Duty/tax/fee account identification	N	
1131	an..3	C Code list qualifier	N	
3055	an..3	C Code list responsible agency, coded	N	
5286	an..15	C DUTY/TAX/FEE ASSESSMENT BASIS	N	
C243		C DUTY/TAX/FEE DETAIL	D	
5279	an..7	C Duty/tax/fee rate identification	N	
1131	an..3	C Code list qualifier	N	
3055	an..3	C Code list responsible agency, coded	N	
5278	an..17	C Duty/tax/fee rate	R	Tax rate
5273	an..12	C Duty/tax/fee rate basis identification	N	
1131	an..3	C Code list qualifier	N	
3055	an..3	C Code list responsible agency, coded	N	
5305	an..3	C DUTY/TAX/FEE CATEGORY, CODED	A	A = Mixed tax rate AA = Lower rate VAT at a lower rate than standard rate B = Transferred (VAT) S = Standard rate E = Exempt from tax O = Services outside scope of tax Z = Zero rated goods
3446	an..20	C PARTY TAX IDENTIFICATION NUMBER	N	

SG51 TAX-MOA**MOA MONETARY AMOUNT**

Function: A segment specifying the summary amount for the tax type, category and rate.

Usage : D..2

Notes : DE 6345 must be specified if the segment occurs twice.

DE 5283 in the previous TAX segment indicates whether this is for tax or duty, and for which category.

Ref.	Rep.	Name	EDIFICE Utilisation	
C516		M MONETARY AMOUNT	M	
5025	an..3	M Monetary amount type qualifier	M	176 = Message total duty/tax/fee amount
5004	n..18	C Monetary amount	R	
6345	an..3	C Currency, coded	D	Use ISO 4217, 3 alpha code
6343	an..3	C Currency qualifier	N	
4405	an..3	C Status, coded	N	

SG52 ALC-MOA**ALC ALLOWANCE OR CHARGE**

Function: A segment identifying an allowance or charge.

Usage : M1

Notes :

Ref.	Rep.	Name		EDIFICE Utilisation
5463	an..3	M ALLOWANCE OR CHARGE QUALIFIER	M	A = Allowance C = Charge
C552		C ALLOWANCE/CHARGE INFORMATION	N	
1230	an..35	C Allowance or charge number	N	
5189	an..3	C Charge/allowance description, coded	N	
4471	an..3	C SETTLEMENT, CODED	N	
1227	an..3	C CALCULATION SEQUENCE INDICATOR, CODED	N	
C214		C SPECIAL SERVICES IDENTIFICATION	N	
7161	an..3	C Special services, coded	N	
1131	an..3	C Code list qualifier	N	
3055	an..3	C Code list responsible agency, coded	N	
7160	an..35	C Special service	N	
7160	an..35	C Special service	N	

SG52 ALC-MOA**MOA MONETARY AMOUNT**

Function: A segment specifying the monetary amount.

Usage : R 1

Notes :

Ref.	Rep.	Name		EDIFICE Utilisation
C516		M MONETARY AMOUNT	M	
5025	an..3	M Monetary amount type qualifier	M	131 = Total charges/allowances
5004	n..18	C Monetary amount	R	Total of all line items and header allowances/charges.
6345	an..3	C Currency, coded	N	
6343	an..3	C Currency qualifier	N	
4405	an..3	C Status, coded	N	

UNT MESSAGE TRAILER

Function: A service segment ending, and providing information for checking the completeness of a message.
 Usage : M1
 Notes : Refer to EDIFICE Utilisation of the UN/EDIFACT Service Segments, Issue EDSS04.

Ref.	Rep.	Name	EDIFICE Utilisation	
0074	n..6	M NUMBER OF SEGMENTS IN A MESSAGE	M	Count of all segments in the message, UNH and UNT included.
0062	an..14	M MESSAGE REFERENCE NUMBER	M	Must be the same reference number as in DE 0062 of the UNH segment of this message.

EXAMPLES

EXAMPLE 1 Multi Line Invoice

UNB+UNOC:3+234567891:1:X+198765432:1:X+971201:1924+66+X:AA+INVOIC++1+X+1'
UNH+4622+INVOIC:D:97A:UN:EDIN05'
BGM+380+51316' Commercial Invoice
DTM+137:19950313:102' Document/message date
DTM+131:19950313:102' Tax point date
RFF+FI:000081' Reference to TAXCON
NAD+SE+1234::91' Seller
RFF+VA:222444466' Seller VAT reg. no.
NAD+BY+5678::92' Buyer
RFF+VA:333555577' Buyer VAT reg. no.
CTA+AR+:CONTACT NAME' Accounts receivable contact
COM+0049-30-63926065:TE'
NAD+DP+4120::92' Delivery party
CUX+2:GBP:4' Reference currency & invoicing currency, GBP
LIN+1++BUYER PART NO:BP::92' Buyer's part no.
PIA+1+VENDOR PART NO:VP::91' Vendor's part no.
IMD+F++::PART DESC' Free form description
QTY+47:10:PCE' Invoice quantity 10
ALI+GB' Country of origin United Kingdom
MOA+203:200' Line item amount 200 (10*20)
PRI+AAB:20:CT::1:PCE' Contract price per piece 20
RFF+CO:K45544' Buyer's order number
RFF+AAK:006376' Despatch advice number
TAX+7+VAT++++::17.5+S' VAT 17.5% standard rate
MOA+161:35' Tax amount 35 (200@17.5%)
LIN+2++BUYER PART NO:BP::92' Buyer's part no.
PIA+1+VENDOR PART NO:VP::91' Vendor's part no.
IMD+F++::PART DESC' Free form description
QTY+47:80:PCE' Invoice quantity 80
ALI+GB' Country of origin United Kingdom
MOA+203:3200' Line item amount 3200 (80*40)
PRI+AAB:40:CT::1:PCE' Contract price per piece 20
RFF+CO:K45544' Buyer's order number
RFF+AAK:006376' Despatch advice number
TAX+7+VAT++++::17.5+S' VAT 17.5% standard rate
MOA+161:560' Tax amount 560 (3200@17.5%)
UNS+S'
MOA+86:3995' Message total amount 3995 (200+35+3200+560)
MOA+79:3400' Total line items amount 3400 (200+3200)
TAX+7+VAT++++::17.5+S' VAT 17.5% standard rate
MOA+176:595' Total tax amount 595 (35+560)
UNT+41+4622'
UNZ+1+66'

EXAMPLE 2 Settlement Discount Invoice

UNB+UNOC:3+234567891:1:X+198765432:1:X+971201:1924+66+X:AA+INVOIC++1+X+1'	
UNH+4623+INVOIC:D:97A:UN:EDIN05'	
BGM+380+51316'	Commercial Invoice
DTM+137:19950313:102'	Document/message date
DTM+131:19950313:102'	Tax point date
RFF+FI:000081'	Reference to TAXCON
NAD+SE+1234::91'	Seller
RFF+VA:222444466'	Seller VAT reg. no.
NAD+BY+5678::92'	Buyer
RFF+VA:333555577'	Buyer VAT reg. no.
CUX+2:GBP:4'	Reference currency & invoicing currency, GBP
PAT+22++5:3:CD:15'	Settlement discount within 15 calendar days after date of invoice
PCD+12:5'	Discount percentage 5
LIN+1++BUYER PART NO:BP::92'	Buyer's part no.
PIA+1+VENDOR PART NO:VP::91'	Vendor's part no.
IMD+F++:::PART DESC'	Free form description
QTY+47:10:PCE'	Invoice quantity 10
ALI+GB'	Country of origin United Kingdom
MOA+203:200'	Line item amount 200 (10*20)
PRI+AAB:20:CT::1:PCE'	Contract price per piece 20
RFF+CO:K45544'	Buyer's order number
RFF+AAK:006376'	Despatch advice number
TAX+7+VAT++++:::17.5+S'	VAT 17.5% standard rate
MOA+161:35'	Tax amount 35 (200@17.5%)
UNS+S'	
MOA+86:235'	Message total amount 235 (200+35)
MOA+129:200'	Total amount subject to settlement discount 200
MOA+79:200'	Total line items amount 200
TAX+7+VAT++++:::17.5+S'	VAT 17.5% standard rate
MOA+176:35'	Total tax amount 35
UNT+30+4623'	
UNZ+1+66'	

EXAMPLE 3 Additional Charge Invoice

UNB+UNOC:3+234567891:1:X+198765432:1:X+971201:1924+66+X:AA+INVOIC++1+X+1'	
UNH+4624+INVOIC:D:97A:UN:EDIN05'	
BGM+380+51538'	Commercial Invoice
DTM+137:19950313:102'	Document/message date
DTM+131:19950313:102'	Tax point date
RFF+FI:000081'	Reference to TAXCON
NAD+SE+1234::91'	Seller
RFF+VA:222444466'	Seller VAT reg. no.
NAD+BY+5678::92'	Buyer
RFF+VA:333555577'	Buyer VAT reg. no.
CUX+2:GBP:4'	Reference currency & invoicing currency, GBP
ALC+C+++1+RAB'	Charge, repack charge
MOA+8:10'	Charge amount 10
TAX+7+VAT++++::17.5+S'	VAT 17.5% standard rate
MOA+161:1.75'	VAT amount 1.75 (10@17.5%)
LIN+1++BUYER PART NO:BP::92'	Buyer's part no.
PIA+1+VENDOR PART NO:VP::91'	Vendor's part no.
IMD+F+++::PART DESC'	Free form description
QTY+47:10:PCE'	Invoice quantity 10
ALI+GB'	Country of origin United Kingdom
MOA+203:200'	Line item amount 200 (10*20)
PRI+AAB:20:CT::1:PCE'	Contract price per piece 20
RFF+CO:K45546'	Buyer's order number
RFF+AAK:006376'	Despatch advice number
TAX+7+VAT++++::17.5+S'	VAT 17.5% standard rate
MOA+161:35'	Tax amount 35 (200@17.5%)
UNS+S'	
MOA+86:246.75'	Message total amount 246.75 (10+1.75+200+35)
MOA+79:200'	Total line items amount 200
TAX+7+VAT++++::17.5+S'	VAT 17.5% standard rate
MOA+176:36.75'	Total tax amount 36.75 (1.75+35)
ALC+C'	Total charges
MOA+131:10'	Amount total charges 10
UNT+33+4624'	
UNZ+1+66'	

EXAMPLE 4 U.K. Invoice in a Foreign Currency

UNB+UNOC:3+234567891:1:X+198765432:1:X+971201:1924+66+X:AA+INVOIC++1+X+1'	
UNH+4632+INVOIC:D:97A:UN:EDIN05'	
BGM+380+51649'	Commercial Invoice
DTM+137:19950313:102'	Document/message date
DTM+131:19950313:102'	Tax point date
RFF+FI:000082'	Reference to TAXCON
NAD+SE+1234::91'	Seller
RFF+VA:222444466'	Seller VAT reg. no.
NAD+BY+5678::92'	Buyer
RFF+VA:333555577'	Buyer VAT reg. no.
CUX+2:USD:4+3:GBP:3+0.6411'	Reference currency & invoice currency USD, target currency and home currency GBP, rate of exchange 0.6411
LIN+1++BUYER PART NO:BP::92'	Buyer's part no.
PIA+1+VENDOR PART NO:VP::91'	Vendor's part no.
IMD+F++:::PART DESC'	Free form description
QTY+47:80:PCE'	Invoice quantity 80
ALI+GB'	Country of origin United Kingdom
MOA+203:3200'	Line item amount 3200 (80*40)
PRI+AAB:40:CT:::1:PCE'	Contract price per piece 40
RFF+CO:K45544'	Buyer's order number
RFF+AAK:006376'	Despatch advice number
TAX+7+VAT++++:::17.5+S'	VAT 17.5% standard rate
MOA+161:560'	Tax amount 560 (3200@17.5%)
UNS+S'	
MOA+86:3760:USD'	Message total amount 3760 USD (3200+560)
MOA+86:2410.54:GBP'	Message total amount 2410.54 GBP (3760*0.6411)
MOA+79:3200:USD'	Total line items amount 3200 USD
MOA+79:2051.52:GBP'	Total line items amount 2051.52 GBP (3200*0.6411)
TAX+7+VAT++++:::17.5+S'	VAT 17.5% standard rate
MOA+176:560:USD'	Total tax amount 560 USD
MOA+176:359.02:GBP'	Total tax amount 359.02 GBP (560*0.6411)
UNT+30+4632'	
UNZ+1+66'	

EXAMPLE 5 Credit Note

UNB+UNOC:3+234567891:1:X+198765432:1:X+971201:1924+66+X:AA+INVOIC++1+X+1'	
UNH+1+INVOIC:D:97A:UN:EDIN05'	
BGM+380+CN001'	Credit Note
DTM+131:19951207:102'	Document/message date
DTM+137:19951207:102'	Tax point date
RFF+IV:INV76543'	
NAD+BY+9012::92'	Buyer
RFF+VA:112233'	Buyer VAT reg. no.
NAD+SE+1234::91'	Seller
RFF+VA:78910'	Seller VAT reg. no.
CUX+2:DEM:4'	
LIN+1++PENTIUM120:VP::91'	Vendor's part no.
QTY+47:2:PCE'	Invoice quantity 2
MOA+203:200'	Line item amount 200 (2*100)
PRI+AAB:100:DI::1:PCE'	Distributor price per piece 100
RFF+XSD:SD9999'	Ship & Debit reference number
TAX+7+VAT++++::15.0+S'	VAT 15.0% standard rate
MOA+161:30'	Tax amount 30 (200@15.0%)
LIN+2++PROSHARE:VP::91'	Vendor's part no.
QTY+47:5:PCE'	Invoiced quantity 5
MOA+203:125'	Line item amount 125 (5*25)
PRI+AAB:25:DI::1:PCE'	Distributor price per piece 25
RFF+XSD:SD9999'	Ship & Debit reference number
TAX+7+VAT++++::15.0+S'	VAT 15.0% standard rate
MOA+161:18.75'	Tax amount 18.75 (125@15.0%)
UNS+S'	
MOA+79:325'	Total line items amount 325 (200+125)
MOA+86:373.75'	Message total amount 373.75 (200+35+30+125+18.75)
TAX+7+VAT++++::15.0+S'	VAT 15.0% standard rate
MOA+176:48.75'	Total tax amount 48.75 (30+18.75)
UNT+30+1'	
UNZ+1+66'	