



The European B2B Forum for the Electronics Industry

EDIFICE Message Implementation Guideline

Ship from Stock & Debit Claim

SSDCLM Issue EDSC03

Endorsed 27 November 2002

To be proposed as UN/EDIFACT Standar Message

Copyright ©EDIFICE 2004

All rights reserved. No part of this publication may be reproduced or transmitted in any form or by any means without prior permission of EDIFICE.

Notwithstanding the fact that the utmost care has been observed in the collecting, drawing up and formulating of data, EDIFICE can under no circumstances be held liable for errors, omissions or misinterpretations as a result of the information compiled in the guidelines.

EDIFICE
The European B2B Forum for the Electronics Industry
EDIFICE secretariat
Dora Cresens
Tiensestraat 2
B-3320 Hoegaarden
Belgium
Tel: +32 16 76 54 40
Fax: +32 16 76 53 58
Email: Dora.Cresens@edifice.org

TABLE OF CONTENTS

<u>TITLE</u>	<u>PAGE</u>
COMPARISON TO PREVIOUS ISSUE	3
EDIFICE FUNCTIONAL DEFINITION	4
REFERENCES	6
EXPLANATORY NOTES	6
MESSAGE STRUCTURE CHART	7
BRANCHING DIAGRAM	8
SEGMENT GROUPS/SEGMENTS DESCRIPTION	9
UNH MESSAGE HEADER	11
BGM BEGINNING OF MESSAGE	12
DTM DATE/TIME/PERIOD	13
NAD NAME AND ADDRESS	14
CUX CURRENCIES	15
UNS SECTION CONTROL	16
SG1 - NAD NAME AND ADDRESS	17
SG2 - DOC DOCUMENT/MESSAGE DETAILS	18
SG2 - DTM DATE/TIME/PERIOD	19
SG3 - LIN LINE ITEM	20
SG3 - PIA ADDITIONAL PRODUCT ID	21
SG3 - RFF REFERENCE	22
SG3 - QTY QUANTITY	23
SG3 - PRI PRICE DETAILS	24
UNT MESSAGE TRAILER	25
EXAMPLES	26

COMPARISON TO PREVIOUS ISSUE

12 May 2004 : EDIFIX 5.0 Technical Upgrade

- The 'KMT' qualifier in SEG QTY and PRI DE 6411 is now defined as (*) EDIFICE code. UN/ECE Recommendation 20 specifies 'KTM' as qualifier for 'kilometre'.

21 May 2003 : - EDIFIX 4.2 Technical upgrade; review and correction of examples

Issue EDSC03 of 13 November 2002 is based on UN/EDIFACT D97.A / Code List D01.A

- Addition of the following code values:

- o SG3, LIN segment, CO C212, DE 7143 code 'SRV' EAN.UCC Global Trade Item Number
- o SG3, PIA segment, CO C212, DE 7143 code 'SRV' EAN.UCC Global Trade Item Number
- o SG3, RFF segment, CO C506, DE 1153 code 'DW' Design Win
'IV' Invoice number

- Usage of SG3 RFF changed from R..3 to R..5

Issue EDSC02 of 29 May 2002 – recommended set of DTM qialifiers

Issue EDSC02 includes the changes that have been made to the issue 1 of the Ship from Stock & Debit Claim document endorsed by the EDIFICE Plenary on 7 September 1994. The changes are as follows:

- Recast from the 92.1 version of the UN/EDIFACT directory to the D.97A version,

- Addition of the following code values:

- all DTM segments, CO C507, DE 2379, code '203' CCYMMDDHHMM
- header NAD segment, DE 3055, code '16' DUNS (Dun & Bradstreet)
- SG1, NAD segment, CO C082, DE 3055 codes '9' EAN (International Article Numbering association)
'16' DUNS (Dun & Bradstreet)
'92' Assigned by buyer or buyer's agent
- SG3, LIN segment, CO C212, DE 7143 codes 'DI' Distributor's part number
'MF' Manufacturer's (producer's) article number
'UP' UPC (Universal product code)
- SG3, LIN segment, CO C212, DE 3055 codes '89' Assigned by distributor
'90' Assigned by manufacturer
'113'US, UCC (Uniform Code Council)
- SG3, PIA segment, CO C212, DE 7143 codes 'DI' Distributor's part number
'MF' Manufacturer's (producer's) article number
'UP' UPC (Universal product code)
- SG3, PIA segment, CO C212, DE 3055 codes '89' Assigned by distributor
'90' Assigned by manufacturer
'113'US, UCC (Uniform Code Council)
- SG3, PRI segment, CO C509, DE 5125, code 'AAA' Calculation net,

- Deletion of the following code values:

- SG3, PIA segment, CO C212, DE 7143, codes 'CCM' COCOM list number
'DR' Drawing revision number
'DW' Drawing
'EC' Engineering change level
'GS' General specification number
'SG' Standard group of products (mixed assortment)
'VX' Vendor specification number
- SG3, PRI segment, CO C509, DE 5125, codes 'CAT' Catalogue price
'NBP' New buy price
'RES' Resale price,

- Replacement of the following codes:

- header DTM segment, CO C507, DE 2005, codes '158' to '90' Report start date
'159' to '91' Report end date
- header NAD segment, DE 3035, codes 'MF' to 'SE' Seller
'DS' to 'BY' Buyer
- header NAD segment, CO C082, DE 3055, codes '89' to '92' Assigned by buyer or buyer's agent
'90' to '91' Assigned by seller or seller's agent
- SG1, NAD segment, DE 3035, code 'UD' to 'PC' Actual purchaser's customer
- SG1, NAD segment, CO C082, DE 3055, code '89' to '92' Assigned by buyer or buyer's agent,

- Usage changed for the following segments/data elements:

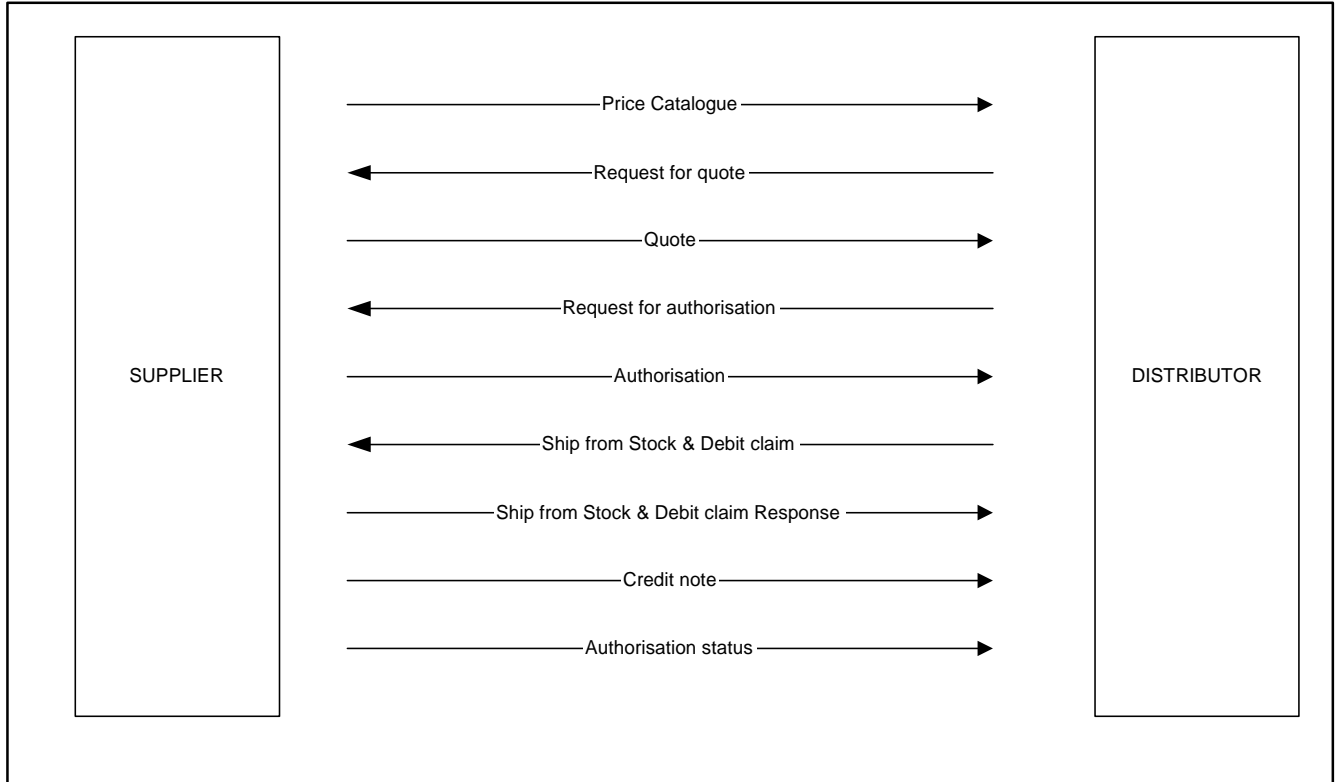
- BGM segment, DE 1225, X to A
- header NAD segment, CO C082 R to A
- SG3, QTY segment, R1 to M1
- SG3, PRI segment, CO C509, DE 5375, X to R
- SG3, PRI segment, CO C509, DE 5284, X to R,

- Where UN/ECE Recommendations are referenced the most commonly used codes have been identified,
- Alignment of segments and composite data elements to ensure conformance (data harmonization) across all EDIFICE Implementation Guidelines,
- Update of the EDIFICE FUNCTIONAL DEFINITION, REFERENCES and EXPLANATORY NOTES section to comply with the EDIFICE Standards for Documentation of Message Implementation Guidelines issue 3,
- Update of examples,
- Documentation adjustments resulting from the use of GEFEG's EdiFix Message Implementation Guidelines documentation tool,
- Correction of typographical errors.

EDIFICE FUNCTIONAL DEFINITION

The business relationship can be between any buying and selling functions. For the purposes of this business scenario these buying and selling functions relate to a distributor and manufacturer respectively.

1. Typical business scenario



2. Description of the Ship from Stock & Debit business scenario

2.1 Stocking of Goods and Stock Protection

The distributor purchases the goods with the manufacturer for stocking purposes at a fixed price. These prices are fixed for a certain period of time e.g. prices are fixed per quarter. This purchase price is commonly referred to as 'distributor cost' or 'catalogue price'.

When the manufacturer decides to change his price, the following process is applied:

Based on the distributor's inventory level at the time of the price change, the manufacturer can calculate the difference in value of the stock affected by the price change.

When, as in the majority of the cases, the prices of electronics components go down, the manufacturer will credit the distributor's account for the difference in value of his stock.

There are variances in the stock protection mechanism from one manufacturer to another. The exact conditions can usually be found in the franchise agreement. There are other implications to this stock protection mechanism e.g. stock return, which are not part of this scenario.

2.2 Request of a New Buy Price

The primary purpose for a distributor to have stock, is to sell the goods to his customers, referred to as the 'end-customers'.

Very often, the market price will have changed since the distributor bought the goods from a manufacturer which prevents the distributor from making a healthy margin. For this purpose, manufacturers introduced the 'Ship from Stock & Debit' scenario.

When a distributor has a business opportunity with an end-customer, he will inform the manufacturer of the business opportunity with a 'request for quote'.

The distributor will get a response from the manufacturer to his proposal - the 'quote'. In this quote, the manufacturer will propose a 'new buy price'. This 'new buy price' is only valid for the authorised quantity and the end-customer specified in the quote.

Based on this quote, the distributor can make a final offer to his end-customer. When the end-customer accepts the deal, which results in an order from the end-customer to the distributor, the distributor will inform the manufacturer of this deal, by phone, fax or EDI - 'request for authorisation'. The manufacturer will give the distributor a final authorisation to ship the goods and claim back the difference between the 'distributor cost' and the 'new buy price'. Besides the 'new buy price', the 'authorised quantity' and the 'end-customer', an 'expiry date' is always attached to the 'authorisation'.

Not all manufacturers require a 'four step' negotiation process. The process can be reduced to a 'three step' process if the first offer to the distributor already contains a conditional authorisation number.

2.3 Shipping to the End-customer / Claiming from the Manufacturer

Independent of how many steps the bid/offer process takes, it is only when the distributor starts shipping the goods to his end-customer that he can claim the difference between the 'distributor cost' and the 'new buy price' from the manufacturer.

The frequency at which a distributor makes a claim to the manufacturer differs. Some manufacturers allow the distributor to claim when the shipping event occurs, others ask the distributor to accumulate and transmit the claims on a fixed interval period e.g. weekly or monthly.

The manufacturer will receive the claim and process it against the distributor's 'open' authorisations. Not all claims are accepted based on the conditions stated in the claim. It is even possible that some claims are rejected.

The manufacturer will inform the distributor of the processing result of every claim. Finally the manufacturer will issue a credit note to the distributor and credit the distributor's account.

2.4 Where does the Ship from Stock & Debit Claim fit in this scenario?

The purpose of this message is to allow the distributor to send his claim to the manufacturer.

The message is designed to carry multiple claim lines, independent of the frequency of the transmissions.

The distributor sends his claim number in the message. This number will be the unique reference in all subsequent messages, e.g. the Ship from Stock and Debit Claim Response and the manufacturer's Credit Note.

Unique identification of claim line items within the message is also necessary. These line item numbers will be used as references in the Ship from Stock and Debit Claim Response message.

REFERENCES

Refer to the document : Reference list for the EDIFICE message guidelines – Issue 1

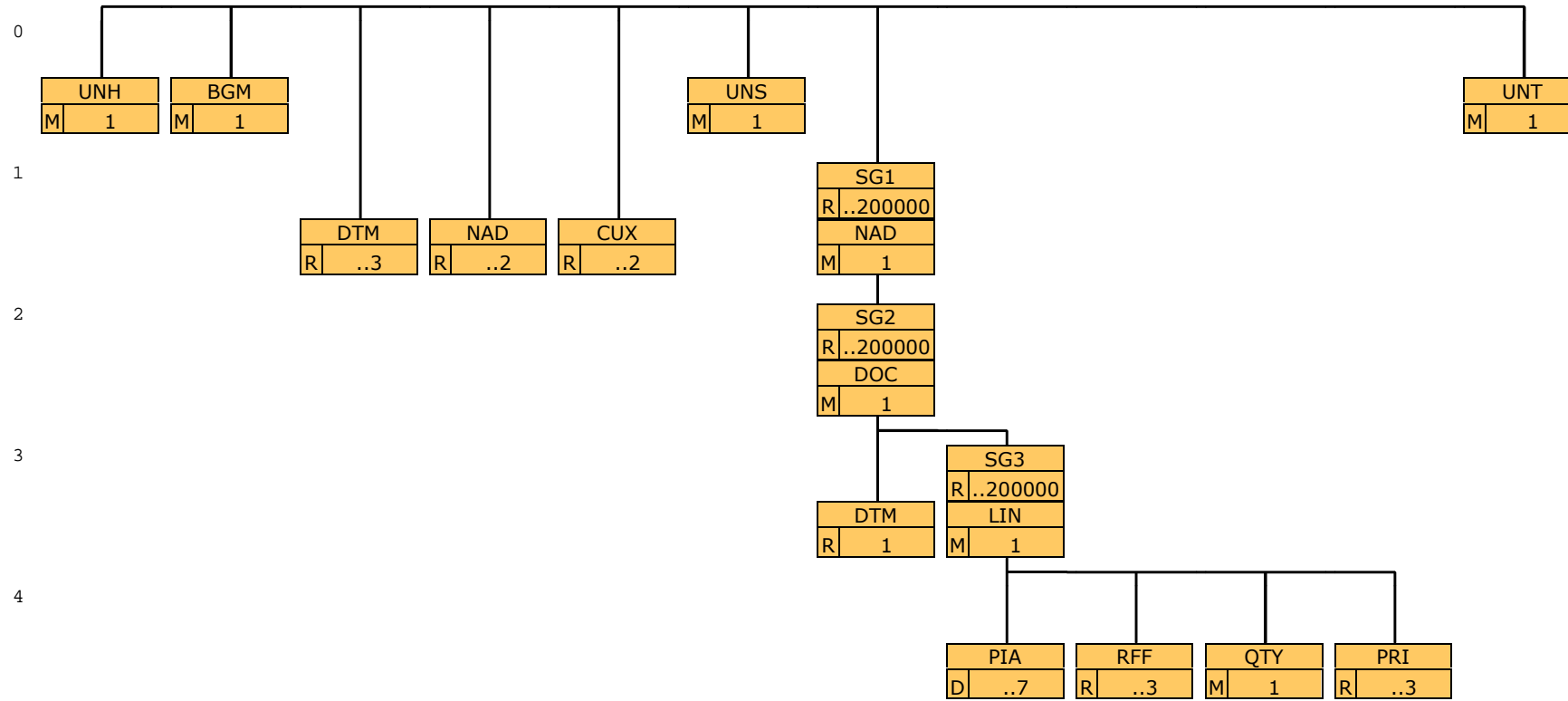
EXPLANATORY NOTES

Refer to the document : Explanatory notes for the EDIFICE message guidelines – Issue 1

MESSAGE STRUCTURE CHART

UNH	MESSAGE HEADER	M 1
BGM	BEGINNING OF MESSAGE	M 1
DTM	DATE/TIME/PERIOD	R..3
NAD	NAME AND ADDRESS	R..2
CUX	CURRENCIES	R..2
UNS	SECTION CONTROL	M 1
SG1		R..200000
NAD	NAME AND ADDRESS	M 1
SG2		R..200000
DOC	DOCUMENT/MESSAGE DETAILS	M 1
DTM	DATE/TIME/PERIOD	R 1
SG3		R..200000
LIN	LINE ITEM	M 1
PIA	ADDITIONAL PRODUCT ID	D..7
RFF	REFERENCE	R..5
OTY	QUANTITY	M 1
PRI	PRICE DETAILS	R..3
UNT	MESSAGE TRAILER	M 1

BRANCHING DIAGRAM



SEGMENT GROUPS/SEGMENTS DESCRIPTION

UNH MESSAGE HEADER

Function: A service segment heading, and uniquely identifying the message.
Usage: M1

BGM BEGINNING OF MESSAGE

Function: A segment uniquely identifying the message by means of its coded name, number and function.
Usage: M1

DTM DATE/TIME/PERIOD

Function: A segment specifying the date/time of creation of the message and other dates/times relevant to the message.
Usage: R..3

NAD NAME AND ADDRESS

Function: A segment identifying the function and coded identification, name and address of a party involved.
Usage: R..2

CUX CURRENCIES

Function: A segment specifying a currency, valid for the whole message.
Usage: R..2

UNS SECTION CONTROL

Function: A segment to separate header from detail section
Usage: M1

SG1 NAD-SG2

Function: A group of segments identifying the buyer's customers and related billing information for which claims are made.
Usage: R..200000
Notes:

NAD NAME AND ADDRESS

Function: A segment identifying the function and coded identification, name and address of the end-customer to whom goods were shipped and billed by the buyer.
Usage: M1

SG2 DOC-DTM-SG3

Function: A group of segments providing details of the individual billing documents.
Usage: R..200000
Notes:

DOC DOCUMENT/MESSAGE DETAILS

Function: A segment specifying a document number.
Usage: M1

DTM DATE/TIME/PERIOD

Function: A segment specifying the date/time of creation of the reference document.
Usage: R 1

SG3 LIN-PIA-RFF-QTY-PRI

Function: A group of segments providing billing details of the individual line items i.e. line items within the reference document.
Usage: R..200000

Notes: The PIA segment is dependent on whether the primary reference to the document line item is insufficient to identify the item.

LIN LINE ITEM

Function: A segment identifying a line item by its item number, and agreed to be the primary reference number between the buyer and seller.
The segment also carries a sequence number assigned to the line item within the message.

Usage: M1

PIA ADDITIONAL PRODUCT ID

Function: A segment providing additional identification numbers.

Usage: D..7

RFF REFERENCE

Function: A segment specifying the line item reference number, and other relevant references.

Usage: R..3

QTY QUANTITY

Function: A segment specifying the quantity claimed.

Usage: M1

PRI PRICE DETAILS

Function: A segment specifying the line item price and qualifying information.

Usage: R..3

UNT MESSAGE TRAILER

Function: A service segment ending, and providing information for checking the completeness of a message.

Usage: M1

SEGMENT DETAILS

UNH

UNH MESSAGE HEADER

Function: A service segment heading, and uniquely identifying the message.

Usage : M1

Notes : Refer to EDIFICE Utilisation of the UN/EDIFACT Service Segments, Issue EDSS04

Ref.	Rep.	Name		EDIFICE Utilisation
0062	an..14	M MESSAGE REFERENCE NUMBER	M	Transmission message count from 1
S009		M MESSAGE IDENTIFIER	M	
0065	an..6	M Message type identifier	M	SSDCLM = Ship from Stock & Debit claim
0052	an..3	M Message type version number	M	D = Draft version/UN/EDIFACT Directory
0054	an..3	M Message type release number	M	97A = Release 1997 - A
0051	an..2	M Controlling agency	M	ED = EDIFICE (Electronic industries project)
0057	an..6	C Association assigned code	R	EDSR03 = Ship from stock & debit claim response Issue EDSR03
0068	an..35	C COMMON ACCESS REFERENCE	N	
S010		C STATUS OF THE TRANSFER	N	
0070	n..2	M Sequence message transfer number	N	
0073	a1	C First/last sequence message transfer indication	N	

BGM BEGINNING OF MESSAGE

Function: A segment uniquely identifying the message by means of its coded name, number and function.

Usage : M1

Notes :

Ref.	Rep.	Name		EDIFICE Utilisation
C002		C DOCUMENT/MESSAGE NAME	R	
1001	an..3	C Document/message name, coded	R	SSC = Ship from Stock & Debit Claim (*) (*) EDIFICE code
1131	an..3	C Code list qualifier	N	
3055	an..3	C Code list responsible agency, coded	N	
1000	an..35	C Document/message name	N	
C106		C DOCUMENT/MESSAGE IDENTIFICATION	R	
1004	an..35	C Document/message number	R	Claim number Usually the buyer's debit note number
1056	an..9	C Version	N	
1060	an..6	C Revision number	N	
1225	an..3	C MESSAGE FUNCTION, CODED	A	9 = Original
4343	an..3	C RESPONSE TYPE, CODED	N	

DTM DATE/TIME/PERIOD

Function: A segment specifying the date/time of creation of the message and other dates/times relevant to the message.

Usage : R..3

Notes : It is required to specify the date/time of creation of the message.

Ref.	Rep.	Name		EDIFICE Utilisation
C507		M DATE/TIME/PERIOD	M	
2005	an..3	M Date/time/period qualifier	M	137 = Document/message date/time Date when the document is created 90 = Report start date 91 = Report end date
2380	an..35	C Date/time/period	R	
2379	an..3	C Date/time/period format qualifier	R	102 = CCYYMMDD 203 = CCYYMMDDHHMM 303 = CCYYMMDDHHMMZZZ ZZZ = Time zone 304 = CCYYMMDDHHMMSSZZZ ZZZ = Time zone X03 = CCYYMMDDHHMMZZZZZ (*) ZZZZZ = Time zone X04 = CCYYMMDDHHMMSSZZZZZ (*) ZZZZZ = Time zone (*) EDIFICE code

NAD NAME AND ADDRESS

Function: A segment identifying the function and coded identification, name and address of a party involved.

Usage : R..2

Notes : It is advised that the party identification CO C082 be used. When CO C082 cannot be used it is recommended to use the structured name and address CO C080 through DE 3207 rather than the unstructured one CO C058.

The NAD segment that identifies the buyer must be present.

Ref.	Rep.	Name		EDIFICE Utilisation
3035	an..3	M PARTY QUALIFIER	M	BY = Buyer SE = Seller
C082		C PARTY IDENTIFICATION DETAILS	A	
3039	an..35	M Party id. identification	M	
1131	an..3	C Code list qualifier	N	
3055	an..3	C Code list responsible agency, coded	R	9 = EAN (International Article Numbering association) 16 = DUNS (Dun & Bradstreet) 91 = Assigned by seller or seller's agent 92 = Assigned by buyer or buyer's agent
C058		C NAME AND ADDRESS	D	
3124	an..35	M Name and address line	M	
3124	an..35	C Name and address line	O	
3124	an..35	C Name and address line	O	
3124	an..35	C Name and address line	O	
3124	an..35	C Name and address line	O	
C080		C PARTY NAME	D	
3036	an..35	M Party name	M	
3036	an..35	C Party name	O	
3036	an..35	C Party name	O	
3036	an..35	C Party name	O	
3036	an..35	C Party name	O	
3036	an..35	C Party name	O	
3045	an..3	C Party name format, coded	N	
C059		C STREET	D	
3042	an..35	M Street and number/p.o. box	M	
3042	an..35	C Street and number/p.o. box	O	
3042	an..35	C Street and number/p.o. box	O	
3042	an..35	C Street and number/p.o. box	O	
3164	an..35	C CITY NAME	D	
3229	an..9	C COUNTRY SUB-ENTITY IDENTIFICATION	D	
3251	an..9	C POSTCODE IDENTIFICATION	D	
3207	an..3	C COUNTRY, CODED	D	Use ISO 3166, 2 alpha code

CUX CURRENCIES

Function: A segment specifying a currency, valid for the whole message.
 Usage : R..2
 Notes : A CUX segment specifying the order currency must be present.

Ref.	Rep.	Name		EDIFICE Utilisation
C504		C CURRENCY DETAILS	R	2 = Reference currency Use ISO 4217, 3 alpha code 4 = Invoicing currency 9 = Order currency
6347	an..3	M Currency details qualifier	M	
6345	an..3	C Currency, coded	R	
6343	an..3	C Currency qualifier	R	
6348	n..4	C Currency rate base	N	
C504		C CURRENCY DETAILS	N	
6347	an..3	M Currency details qualifier	N	
6345	an..3	C Currency, coded	N	
6343	an..3	C Currency qualifier	N	
6348	n..4	C Currency rate base	N	
5402	n..12	C RATE OF EXCHANGE	N	
6341	an..3	C CURRENCY MARKET EXCHANGE, CODED	N	

UNS SECTION CONTROL

Function: A segment to separate header from detail section
 Usage : M1
 Notes :

Ref.	Rep.	Name	EDIFICE Utilisation	
0081	a1	M SECTION IDENTIFICATION	M	D = Start of detail section

SG1 NAD-SG2

NAD NAME AND ADDRESS

Function: A segment identifying the function and coded identification, name and address of the end-customer to whom goods were shipped and billed by the buyer.

Usage : M1

Notes : It is advised that the party identification CO C082 be used. When CO C082 cannot be used it is recommended to use the structured name and address CO C080 through DE 3207 rather than the unstructured one CO C058.

Ref.	Rep.	Name		EDIFICE Utilisation
3035	an..3	M PARTY QUALIFIER	M	PC = Actual purchaser's customer
C082		C PARTY IDENTIFICATION DETAILS	A	
3039	an..35	M Party id. identification	M	End-customer identification
1131	an..3	C Code list qualifier	N	
3055	an..3	C Code list responsible agency, coded	R	9 = EAN (International Article Numbering association) 16 = DUNS (Dun & Bradstreet) 91 = Assigned by seller or seller's agent 92 = Assigned by buyer or buyer's agent
C058		C NAME AND ADDRESS	D	
3124	an..35	M Name and address line	M	
3124	an..35	C Name and address line	O	
3124	an..35	C Name and address line	O	
3124	an..35	C Name and address line	O	
3124	an..35	C Name and address line	O	
C080		C PARTY NAME	D	
3036	an..35	M Party name	M	
3036	an..35	C Party name	O	
3036	an..35	C Party name	O	
3036	an..35	C Party name	O	
3036	an..35	C Party name	O	
3045	an..3	C Party name format, coded	N	
C059		C STREET	D	
3042	an..35	M Street and number/p.o. box	M	
3042	an..35	C Street and number/p.o. box	O	
3042	an..35	C Street and number/p.o. box	O	
3042	an..35	C Street and number/p.o. box	O	
3164	an..35	C CITY NAME	D	
3229	an..9	C COUNTRY SUB-ENTITY IDENTIFICATION	D	
3251	an..9	C POSTCODE IDENTIFICATION	D	
3207	an..3	C COUNTRY, CODED	D	Use ISO 3166, 2 alpha code

SG2 DOC-DTM-SG3

DOC DOCUMENT/MESSAGE DETAILS

Function: A segment specifying a document number.

Usage : M1

Notes : Specifies the invoice or credit note between the buyer and the end-customer.

Ref.	Rep.	Name		EDIFICE Utilisation
C002		M DOCUMENT/MESSAGE NAME	M	380 = Commercial invoice Invoice from the buyer to his end-customer. 381 = Credit note Credit note from the buyer to his end-customer.
1001	an..3	C Document/message name, coded	R	
1131	an..3	C Code list qualifier	N	
3055	an..3	C Code list responsible agency, coded	N	
1000	an..35	C Document/message name	N	
C503		C DOCUMENT/MESSAGE DETAILS	R	
1004	an..35	C Document/message number	R	
1373	an..3	C Document/message status, coded	N	
1366	an..35	C Document/message source	N	
3453	an..3	C Language, coded	N	
3153	an..3	C COMMUNICATION CHANNEL IDENTIFIER, CODED	N	
1220	n..2	C NUMBER OF COPIES OF DOCUMENT REQUIRED	N	
1218	n..2	C NUMBER OF ORIGINALS OF DOCUMENT REQUIRED	N	

SG2 DOC-DTM-SG3

DTM DATE/TIME/PERIOD

Function: A segment specifying the date/time of creation of the reference document.

Usage : R 1

Notes :

Ref.	Rep.	Name		EDIFICE Utilisation
C507		M DATE/TIME/PERIOD	M	
2005	an..3	M Date/time/period qualifier	M	137 = Document/message date/time Date when the document is created
2380	an..35	C Date/time/period	R	
2379	an..3	C Date/time/period format qualifier	R	102 = CCYMMDD 203 = CCYMMDDHHMM 303 = CCYMMDDHHMMZZZ ZZZ = Time zone 304 = CCYMMDDHHMMSSZZZ ZZZ = Time zone X03 = CCYMMDDHHMMZZZZ (*) ZZZZ = Time zone X04 = CCYMMDDHHMMSSZZZZ (*) ZZZZ = Time zone (*) EDIFICE code

SG3 LIN-PIA-RFF-QTY-PRI
LIN LINE ITEM

Function: A segment identifying a line item by its item number, and agreed to be the primary reference number between the buyer and seller.

The segment also carries a sequence number assigned to the line item within the message.

Usage : M1

Notes :

Ref.	Rep.	Name		EDIFICE Utilisation
1082	an..6	C LINE ITEM NUMBER	R	It is required to assign a number to the line items within a message. The number is assigned by the sender of the message. The first line item within a message will be numbered 1 and further line items will be incremented by 1 for each new line. Article number BP = Buyer's part number DI = Distributor's part number (*) EN = International Article Numbering Association (EAN) MF = Manufacturer's (producer's) article number SRV = EAN.UCC Global Trade Item Number UP = UPC (Universal product code) VP = Vendor's (seller's) part number (*) EDIFICE code 9 = EAN (International Article Numbering association) 89 = Assigned by distributor 90 = Assigned by manufacturer 91 = Assigned by seller or seller's agent 92 = Assigned by buyer or buyer's agent 113 = US, UCC (Uniform Code Council)
1229	an..3	C ACTION REQUEST/NOTIFICATION, CODED	N	
C212		C ITEM NUMBER IDENTIFICATION	R	
7140	an..35	C Item number	R	
7143	an..3	C Item number type, coded	R	
1131	an..3	C Code list qualifier	N	
3055	an..3	C Code list responsible agency, coded	R	
C829		C SUB-LINE INFORMATION	N	
5495	an..3	C Sub-line indicator, coded	N	
1082	an..6	C Line item number	N	
1222	n..2	C CONFIGURATION LEVEL	N	
7083	an..3	C CONFIGURATION, CODED	N	

SG3 LIN-PIA-RFF-QTY-PRI**PIA ADDITIONAL PRODUCT ID**

Function: A segment providing additional identification numbers.

Usage : D..7

Notes : The 5 internal repetitions of CO C212 may be used, but EDIFICE recommends to only use the first occurrence.

Ref.	Rep.	Name		EDIFICE Utilisation
4347	an..3	M PRODUCT ID. FUNCTION QUALIFIER	M	1 = Additional identification BP = Buyer's part number CV = Customs article number DI = Distributor's part number (*) EN = International Article Numbering association (EAN) MF = Manufacturer's (producer's) article number SRV = EAN.UCC Global Trade Item Number UP = UPC (Universal product code) VP = Vendor's (seller's) part number (*) EDIFICE code
C212		M ITEM NUMBER IDENTIFICATION	M	
7140	an..35	C Item number	R	
7143	an..3	C Item number type, coded	R	
1131	an..3	C Code list qualifier	N	
3055	an..3	C Code list responsible agency, coded	R	
C212		C ITEM NUMBER IDENTIFICATION	O	
7140	an..35	C Item number	R	
7143	an..3	C Item number type, coded	R	
1131	an..3	C Code list qualifier	N	
3055	an..3	C Code list responsible agency, coded	R	
C212		C ITEM NUMBER IDENTIFICATION	O	As for first CO C212
7140	an..35	C Item number	R	
7143	an..3	C Item number type, coded	R	
1131	an..3	C Code list qualifier	N	
3055	an..3	C Code list responsible agency, coded	R	
C212		C ITEM NUMBER IDENTIFICATION	O	As for first CO C212
7140	an..35	C Item number	R	
7143	an..3	C Item number type, coded	R	
1131	an..3	C Code list qualifier	N	
3055	an..3	C Code list responsible agency, coded	R	
C212		C ITEM NUMBER IDENTIFICATION	O	As for first CO C212
7140	an..35	C Item number	R	
7143	an..3	C Item number type, coded	R	
1131	an..3	C Code list qualifier	N	
3055	an..3	C Code list responsible agency, coded	R	

SG3 LIN-PIA-RFF-QTY-PRI**RFF REFERENCE**

Function: A segment specifying the line item reference number, and other relevant references.

Usage : R..3

Notes : It is required to specify the line item reference number.

Ref.	Rep.	Name		EDIFICE Utilisation
C506		M REFERENCE	M	
1153	an..3	M Reference qualifier	M	AU = Authorization to meet competition No. Authorisation/quote number. DE 1154: authorisation number (R) DE 1156: authorisation line number (O) DM = Document number Used to specify the line number of the invoice or credit note DE 1154: (N) DE 1156: invoice or credit note line number (R) DW = Design win (*) IV = Invoice reference number To be used only if DE 1001 in DOC = '381' LI = Line item reference number Line item reference number that can be referenced in the Ship from Stock & Debit Response message. DE 1154: (N) DE 1156: (R) (*) EDIFICE code
1154	an..35	C Reference number	D	See DE 1153
1156	an..6	C Line number	D	See DE 1153
4000	an..35	C Reference version number	N	

SG3 LIN-PIA-RFF-QTY-PRI

QTY QUANTITY

Function: A segment specifying the quantity claimed.

Usage : M1

Notes :

Ref.	Rep.	Name	EDIFICE Utilisation
C186		M QUANTITY DETAILS	M
6063	an..3	M Quantity qualifier	M 1 = Discrete quantity
6060	n..15	M Quantity	M Line item quantity claimed
6411	an..3	C Measure unit qualifier	R Use the following codes from UN/ECE Recommendation no.20, Codes for Units of Measurement: CLT = centilitre CMT = centimetre GRM = gram KGM = kilogram KMT = kilometre (*) LTR = litre MGM = milligram MMT = millimetre MTK = square metre MTQ = cubic metre MTR = metre PCE = piece (*) (*) EDIFICE code, not included in UN/ECE Recommendation No. 20 Other codes should be previously agreed between trading partners.

SG3 LIN-PIA-RFF-QTY-PRI

PRI PRICE DETAILS

Function: A segment specifying the line item price and qualifying information.

Usage : R..3

Notes : Catalogue price and new buy price are specified with the order currency.

Resale price is specified with the invoicing currency.

It is required to specify the catalogue price and the new buy price, held by the buyer.

Ref.	Rep.	Name		EDIFICE Utilisation
C509		C PRICE INFORMATION	R	
5125	an..3	M Price qualifier	M	AAA = Calculation net
5118	n..15	C Price	R	
5375	an..3	C Price type, coded	R	CA = Catalogue Stocking price used between the buyer and seller. NBP = New buy price (*) Re-negotiated buy price between the buyer and seller. RES = Resale price (*) Price used between the buyer and the end-customer. (*) EDIFICE code
5387	an..3	C Price type qualifier	N	
5284	n..9	C Unit price basis	R	
6411	an..3	C Measure unit qualifier	R	Use the following codes from UN/ECE Recommendation no.20, Codes for Units of Measurement: CLT = centilitre CMT = centimetre GRM = gram KGM = kilogram KMT = kilometre (*) LTR = litre MGM = milligram MMT = millimetre MTK = square metre MTQ = cubic metre MTR = metre PCE = piece (*) (*) EDIFICE code, not included in UN/ECE Recommendation No. 20 Other codes should be previously agreed between trading partners.
5213	an..3	C SUB-LINE PRICE CHANGE, CODED	N	

UNT MESSAGE TRAILER

Function: A service segment ending, and providing information for checking the completeness of a message.

Usage : M1

Notes : Refer to EDIFICE Utilisation of the UN/EDIFACT Service Segments, Issue EDSS04

Ref.	Rep.	Name	EDIFICE Utilisation	
0074	n..6	M NUMBER OF SEGMENTS IN A MESSAGE	M	Count of all segments in the message, UNH and UNT included.
0062	an..14	M MESSAGE REFERENCE NUMBER	M	Must be the same reference number as in DE 0062 of the UNH segment of this message.

EXAMPLES

A normal claim with two documents, each with two line items.

UNB+UNOC:3+234567890:1:X+198765432:1:X+971201:1924+66+X:AA+SSDCLM++1+X+1'
UNH+1+SSDCLM:D:97A:ED:EDSC03'
BGM+SSC+4938+9'
DTM+137:200000501:102'
NAD+BY+BUYERCODE::92'
CUX+2:DEM:9'
UNS+D'
NAD+PC+ENDCUSTCODE::91'
DOC+380+INVNUMBER1'
DTM+137:200000420:102'
LIN+1++PRODCODE1:VP::91'
RFF+LI::25'
RFF+AU:AUTNUM1:1'
QTY+1:1000:PCE'
PRI+AAA:1.80:CA::1:PCE'
PRI+AAA:1.00:NBP::1:PCE'
LIN+2++PRODCODE2:VP::91'
RFF+LI::26'
RFF+AU:AUTNUM1:2'
QTY+1:2000:PCE'
PRI+AAA:1.80:CA::1:PCE'
PRI+AAA:1.00:NBP::1:PCE'
DOC+380+INVNUMBER2'
DTM+137:200000421:102'
LIN+3++PRODCODE1:VP::91'
RFF+LI::27'
RFF+AU:AUTNUM1:1'
QTY+1:2000:PCE'
PRI+AAA:1.80:CA::1:PCE'
PRI+AAA:1.00:NBP::1:PCE'
LIN+4++PRODCODE2:VP::91'
RFF+LI::28'
RFF+AU:AUTNUM1:2'
QTY+1:500:PCE'
PRI+AAA:1.80:CA::1:PCE'
PRI+AAA:1.00:NBP::1:PCE'
UNT+36+1'
UNZ+1+66'