



**EDIFICE Message Implementation Guideline**  
**Ship from Stock & Debit Claim Response**

**SSDRSP Issue EDSR03**

**Endorsed 27 November 2002**

**To be proposed as UN/EDIFACT Standard Message**

Copyright ©EDIFICE 2004

All rights reserved. No part of this publication may be reproduced or transmitted in any form or by any means without prior permission of EDIFICE.

Notwithstanding the fact that the utmost care has been observed in the collecting, drawing up and formulating of data, EDIFICE can under no circumstances be held liable for errors, omissions or misinterpretations as a result of the information compiled in the guidelines.

EDIFICE  
The European B2B Forum for the Electronics Industry  
EDIFICE secretariat  
Dora Cresens  
Tiensestraat 2  
B-3320 Hoegaarden  
Belgium  
Tel: +32 16 76 54 40  
Fax: +32 16 76 53 58  
Email: Dora.Cresens@edifice.org

## **TABLE OF CONTENTS**

<u>TITLE</u>	<u>PAGE</u>
COMPARISON TO PREVIOUS ISSUE	3
EDIFICE FUNCTIONAL DEFINITION	6
REFERENCES	7
EXPLANATORY NOTES	7
MESSAGE STRUCTURE CHART	8
BRANCHING DIAGRAM	9
SEGMENT GROUPS/SEGMENTS DESCRIPTION	10
UNH           MESSAGE HEADER	12
BGM           BEGINNING OF MESSAGE	13
DTM           DATE/TIME/PERIOD	14
RFF           REFERENCE	15
NAD           NAME AND ADDRESS	16
CUX           CURRENCIES	17
SG1 - LIN     LINE ITEM	18
SG1 - PIA     ADDITIONAL PRODUCT ID	19
SG1 - QTY     QUANTITY	20
SG1 - PRI     PRICE DETAILS	21
SG1 - STS     STATUS	22
SG2 - RFF     REFERENCE	24
SG2 - DTM     DATE/TIME/PERIOD	25
UNT           MESSAGE TRAILER	26
EXAMPLES	27

## **COMPARISON TO PREVIOUS ISSUE**

12 May 2004 : EDIFIX 5.0 Technical Upgrade

- The 'KMT' qualifier in SEG QTY and PRI DE 6411 is now defined as (\*) EDIFICE code. UN/ECE Recommendation 20 specifies 'KTM' as qualifier for 'kilometre'.

21 May 2003 : - EDIFIX 4.2 Technical upgrade; review and correction of examples

Issue EDSR03 of 13 November 2002 is based on UN/EDIFACT D97.A / Code List D01.A

- Addition of the following code value:

SG1, LIN segment, CO C212, DE 7143 code 'SRV' EAN.UCC Global Trade Item Number  
SG1, PIA segment, CO C212, DE 7143 code 'SRV' EAN.UCC Global Trade Item Number

Issue EDSR02 of 29 May 2002 – recommended set of DTM qualifiers

Issue EDSR02 includes the changes that have been made to the issue 1 of the Ship from Stock & Debit Claim Response document endorsed by the EDIFICE Plenary on 7 September 1994. The changes are as follows:

- Recast from the 92.1 version of the UN/EDIFACT directory to the D.97A version,

- Addition of the following code values:

all DTM segments, CO C507, DE 2379, code '203' CCYMMDDHHMM  
header NAD segment, DE 3055, code '16' DUNS (Dun & Bradstreet)  
header RFF segment, CO C506, DE 1153, code 'DL' Debit note number  
SG1, LIN segment, CO C212, DE 7143 codes 'DI' Distributor's part number  
'MF' Manufacturer's (producer's) article number  
'UP' UPC (Universal product code)  
SG1, LIN segment, CO C212, DE 3055 codes '89' Assigned by distributor  
'90' Assigned by manufacturer  
'113' US, UCC (Uniform Code Council)  
SG1, PIA segment, CO C212, DE 7143 codes 'DI' Distributor's part number  
'MF' Manufacturer's (producer's) article number  
'UP' UPC (Universal product code)  
SG1, PIA segment, CO C212, DE 3055 codes '89' Assigned by distributor  
'90' Assigned by manufacturer  
'113'US, UCC (Uniform Code Council)  
SG1, PRI segment, CO C509, DE 5125, code 'AAA' Calculation net  
SG1, STS segment, CO C601, DE 9015, code 'T' Trade  
SG2, RFF segment, CO C506, DE 1153 codes 'AGO' Sender's reference to the original message  
'AU' Authorization to meet competition No.  
'DL' Debit note number,

- Deletion of the following code values:

SG1, PIA segment, CO C212, DE 7143, codes 'CCM' COCOM list number  
'DR' Drawing revision number  
'DW' Drawing  
'EC' Engineering change level  
'GS' General specification number  
'SG' Standard group of products (mixed assortment)  
'VX' Vendor specification number  
SG1, PRI segment, CO C509, DE 5125, codes 'CAT' Catalogue price  
'NBP' New buy price  
'RES' Resale price,

- Replacement of the following codes:

header NAD segment, DE 3035, codes 'MF' to 'SE' Seller  
'DS' to 'BY' Buyer  
header NAD segment, CO C082, DE 3055, codes '89' to '92' Assigned by buyer or buyer's agent  
'90' to '91' Assigned by seller or seller's agent  
SG1, QTY segment, CO C186, DE 6063, codes '201' to 'QCR' Quantity credited  
'202' to 'QDB' Quantity debited,

- Addition of the following segment:

SG2, DTM segment,

- Usage changed for the following segments/data elements:

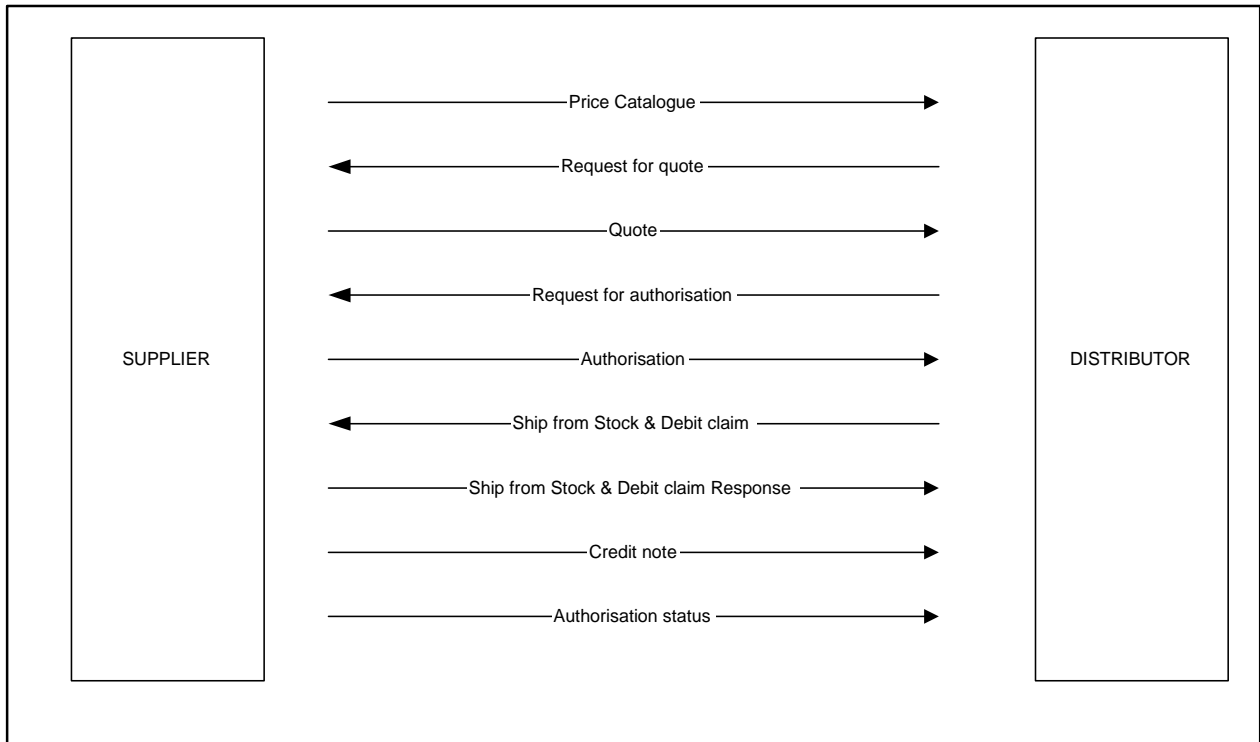
BGM segment, DE 1225, X to A  
header RFF segment, R..2 to R..3  
header NAD segment, R..2 to R2  
header NAD segment, CO C082, R to A  
SG1, PRI segment, CO C509, DE 5375, X to R  
SG1, PRI segment, CO C509, DE 5284, X to R  
SG1, STS segment, CO C601, DE 3055, R to N  
SG1, STS segment, CO C556, X to R,

- The codes used in SG1, STS segment, CO C601, DE 9015 are now used in CO C556, DE 9013 of the same segment,
- The RFF segment, R..2, in SG1, is now the trigger segment of the new SG2, R..5. To conform with UN/EDIFACT message design rules this segment group appears at the end of SG1, after the STS segment,
- Where UN/ECE Recommendations are referenced the most commonly used codes have been identified,
- Alignment of segments and composite data elements to ensure conformance (data harmonization) across all EDIFICE Implementation Guidelines,
- Update of the EDIFICE FUNCTIONAL DEFINITION, REFERENCES and EXPLANATORY NOTES section to comply with the EDIFICE Standards for Documentation of Message Implementation Guidelines issue 3,
- Update of examples,
- Documentation adjustments resulting from the use of GEFEG's EdiFix Message Implementation Guidelines documentation tool,
- Correction of typographical errors.

## **EDIFICE FUNCTIONAL DEFINITION**

The business relationship can be between any buying and selling functions. For the purposes of this business scenario these buying and selling functions relate to a distributor and manufacturer respectively.

### 1. Typical business scenario



### 2. Description of the Ship from Stock & Debit business scenario

#### 2.1 Stocking of Goods and Stock Protection

The distributor purchases the goods with the manufacturer for stocking purposes at a fixed price. These prices are fixed for a certain period of time e.g. prices are fixed per quarter. This purchase price is commonly referred to as 'distributor cost' or 'catalogue price'.

When the manufacturer decides to change his price, the following process is applied:

Based on the distributor's inventory level at the time of the price change, the manufacturer can calculate the difference in value of the stock affected by the price change.

When, as in the majority of the cases, the prices of electronics components go down, the manufacturer will credit the distributor's account for the difference in value of his stock.

There are variances in the stock protection mechanism from one manufacturer to another. The exact conditions can usually be found in the franchise agreement. There are other implications to this stock protection mechanism e.g. stock return, which are not part of this scenario.

#### 2.2 Request of a New Buy Price

The primary purpose for a distributor to have stock, is to sell the goods to his customers, referred to as the 'end-customers'.

Very often, the market price will have changed since the distributor bought the goods from a manufacturer which prevents the distributor from making a healthy margin. For this purpose, manufacturers introduced the 'Ship from Stock & Debit' scenario.

When a distributor has a business opportunity with an end-customer, he will inform the manufacturer of the business opportunity with a 'request for quote'.

The distributor will get a response from the manufacturer to his proposal - the 'quote'. In this quote, the manufacturer will propose a 'new buy price'. This 'new buy price' is only valid for the authorised quantity and the end-customer specified in the quote.

Based on this quote, the distributor can make a final offer to his end-customer. When the end-customer accepts the deal, which results in an order from the end-customer to the distributor, the distributor will inform the manufacturer of this deal, by phone, fax or EDI - 'request for authorisation'. The manufacturer will give the distributor a final authorisation to ship the goods and claim back the difference between the 'distributor cost' and the 'new buy price'. Besides the 'new buy price', the 'authorised quantity' and the 'end-customer', an 'expiry date' is always attached to the 'authorisation'.

Not all manufacturers require a 'four step' negotiation process. The process can be reduced to a 'three step' process if the first offer to the distributor already contains a conditional authorisation number.

### 2.3 Shipping to the End-customer / Claiming from the Manufacturer

Independent of how many steps the bid/offer process takes, it is only when the distributor starts shipping the goods to his end-customer that he can claim the difference between the 'distributor cost' and the 'new buy price' from the manufacturer.

The frequency at which a distributor makes a claim to the manufacturer differs. Some manufacturers allow the distributor to claim when the shipping event occurs, others ask the distributor to accumulate and transmit the claims on a fixed interval period e.g. weekly or monthly.

The manufacturer will receive the claim and process it against the distributor's 'open' authorisations. Not all claims are accepted based on the conditions stated in the claim. It is even possible that some claims are rejected.

The manufacturer will inform the distributor of the processing result of every claim. Finally the manufacturer will issue a credit note to the distributor and credit the distributor's account.

### 2.4 Where does the Ship from Stock & Debit Claim Response fit in this scenario?

This message is designed to allow a manufacturer to respond to a distributor's Ship from Stock & Debit Claim message.

The manufacturer can respond to one claim with one or multiple response messages. However, a response message may only respond to one claim.

One line item in the claim can only generate one line item in the response. The manufacturer can indicate one of the following actions as to the requested claim line item:

- Accepted without amendment:  
The line item of the claim is entirely accepted by the seller.
- Accepted with amendment:  
The line item of the claim is accepted but amended by the seller.
- Not accepted:  
The line item of the claim is not accepted by the seller.

It is mandatory to specify the distributor claim number in the header of every response and the distributor claim line item reference number in the detail section.

The manufacturer can optionally specify a credit note number in the response message. If the reference is made at header level, the credit note number covers all accepted line items. Alternatively the credit note number can also be specified at detail level.

This message is used in conjunction with the Ship from Stock & Debit Claim message.

## **REFERENCES**

Refer to the document : Reference list for the EDIFICE message guidelines – Issue 1

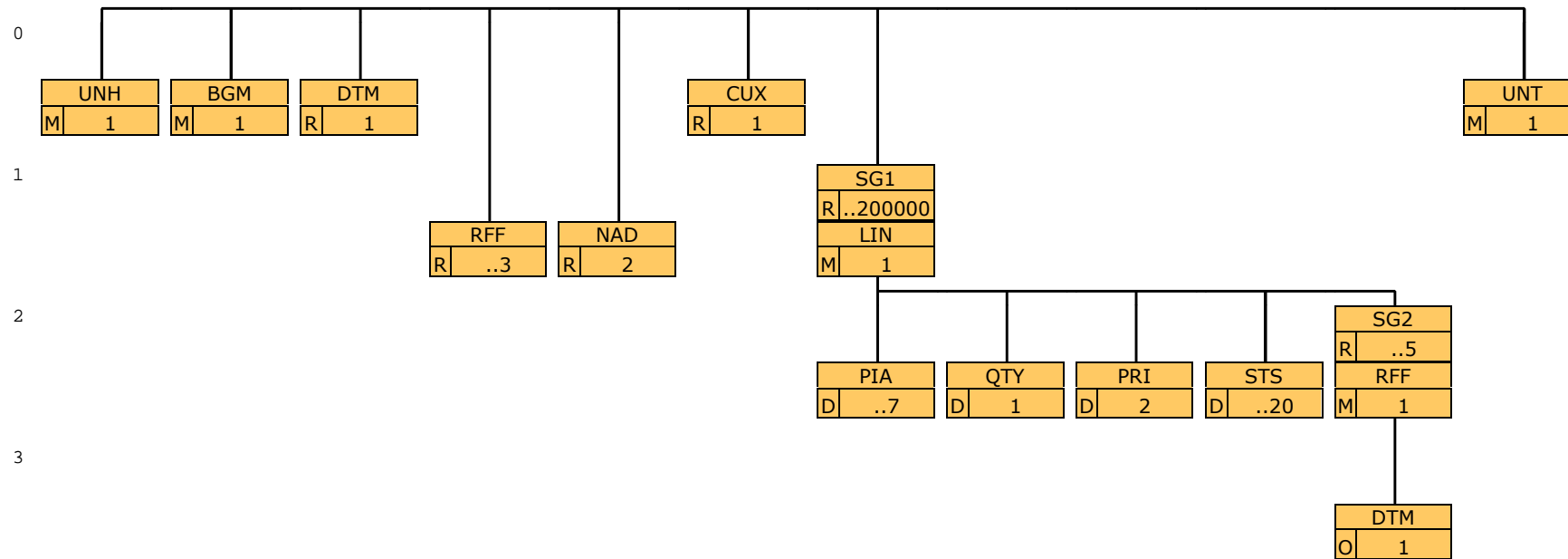
## **EXPLANATORY NOTES**

Refer to the document : Explanatory notes for the EDIFICE message guidelines – Issue 1

## MESSAGE STRUCTURE CHART

UNH	MESSAGE HEADER	M1
BGM	BEGINNING OF MESSAGE	M1
DTM	DATE/TIME/PERIOD	R1
RFF	REFERENCE	R..3
NAD	NAME AND ADDRESS	R2
CUX	CURRENCIES	R1
SG1		R..200000
	LINE ITEM	M1
	PIA	D..7
	QTY	D1
	PRI	D2
	STS	D..20
	SG2	R..5
	RFF	M1
	DTM	O1
	UNT	M1

# BRANCHING DIAGRAM



## **SEGMENT GROUPS/SEGMENTS DESCRIPTION**

### **UNH MESSAGE HEADER**

---

Function: A service segment heading, and uniquely identifying the message.  
Usage: M1

### **BGM BEGINNING OF MESSAGE**

---

Function: A segment uniquely identifying the message by means of its coded name, number and function.  
Usage: M1

### **DTM DATE/TIME/PERIOD**

---

Function: A segment specifying the date/time of creation of the message.  
Usage: R 1

### **RFF REFERENCE**

---

Function: A segment specifying the buyer's ship from stock & debit claim number and other references, valid for the whole message.  
Usage: R..3

### **NAD NAME AND ADDRESS**

---

Function: A segment identifying the function and coded identification, name and address of a party involved.  
Usage: R 2

### **CUX CURRENCIES**

---

Function: A segment specifying the order currency.  
Usage: R 1

### **SG1 LIN-PIA-QTY-PRI-STSG2**

---

---

Function: A group of segments providing details of the individual items i.e. claim line items responded to, including the reasons for rejection.  
Usage: R..200000  
Notes: The PIA segment is dependent on whether the primary reference to the document line item is insufficient to identify the item.  
The QTY segment should only be sent when the line item is accepted with or without amendments.  
The PRI segments should only be sent when the line item is accepted with or without amendments. Both the catalogue and new buy prices must be specified and are the ones held by the seller.  
The STS segment should be sent when the line item is rejected.

### **LIN LINE ITEM**

---

Function: A segment identifying a line item by its item number, and agreed to be the primary reference number between the buyer and seller.  
The segment also carries a sequence number assigned to the line item within the message, and the action taken.  
Usage: M1

### **PIA ADDITIONAL PRODUCT ID**

---

Function: A segment providing additional identification numbers for the line item.  
Usage: D..7

### **QTY QUANTITY**

---

Function: A segment specifying the credited or debited quantity for the line item.  
Usage: D 1

### **PRI PRICE DETAILS**

---

Function: A segment specifying the line item price, and qualifying information.

Usage: D2

---

**STS STATUS**

Function: A segment identifying the reason for the line item rejection.  
Usage: D..20

---

**SG2 RFF-DTM**

Function: A group of segments specifying references for the line item.  
Usage: R..5  
Notes:

---

**RFF REFERENCE**

Function: A segment specifying the line item reference number, and other relevant references.  
Usage: M1

---

**DTM DATE/TIME/PERIOD**

Function: A segment specifying the date/time of the reference document.  
Usage: O1

---

**UNT MESSAGE TRAILER**

Function: A service segment ending, and providing information for checking the completeness of a message.  
Usage: M1

## SEGMENT DETAILS



### **UNH MESSAGE HEADER**

Function: A service segment heading, and uniquely identifying the message.

Usage : M1

Notes : Refer to EDIFICE Utilisation of the UN/EDIFACT Service Segments, Issue EDSS04

Ref.	Rep.	Name		EDIFICE Utilisation
0062	an..14	M MESSAGE REFERENCE NUMBER	M	Transmission message count from 1
S009		M MESSAGE IDENTIFIER	M	
0065	an..6	M Message type identifier	M	SSDRSP = Ship from stock & Debit claim response
0052	an..3	M Message type version number	M	D = Draft version/UN/EDIFACT Directory
0054	an..3	M Message type release number	M	97A = Release 1997 - A
0051	an..2	M Controlling agency	M	ED = EDIFICE (Electronic industries project)
0057	an..6	C Association assigned code	R	EDSR03 = Ship from stock & debit claim response Issue EDSR03
0068	an..35	C COMMON ACCESS REFERENCE	N	
S010		C STATUS OF THE TRANSFER	N	
0070	n..2	M Sequence message transfer number	N	
0073	a1	C First/last sequence message transfer indication	N	

**BGM BEGINNING OF MESSAGE**

Function: A segment uniquely identifying the message by means of its coded name, number and function.

Usage : M1

Notes :

Ref.	Rep.	Name		EDIFICE Utilisation
C002		C DOCUMENT/MESSAGE NAME	R	
1001	an..3	C Document/message name, coded	R	SSR = Ship from Stock & Debit Claim Response (*) (*) EDIFICE code
1131	an..3	C Code list qualifier	N	
3055	an..3	C Code list responsible agency, coded	N	
1000	an..35	C Document/message name	N	
C106		C DOCUMENT/MESSAGE IDENTIFICATION	R	
1004	an..35	C Document/message number	R	Response number
1056	an..9	C Version	N	
1060	an..6	C Revision number	N	
1225	an..3	C MESSAGE FUNCTION, CODED	A	9 = Original
4343	an..3	C RESPONSE TYPE, CODED	N	

**DTM DATE/TIME/PERIOD**

Function: A segment specifying the date/time of creation of the message.

Usage : R 1

Notes :

Ref.	Rep.	Name		EDIFICE Utilisation
C507		M DATE/TIME/PERIOD	M	
2005	an..3	M Date/time/period qualifier	M	137 = Document/message date/time Date when the document is created
2380	an..35	C Date/time/period	R	Claim response date
2379	an..3	C Date/time/period format qualifier	R	102 = CCYMMDD 203 = CCYMMDDHHMM 303 = CCYMMDDHHMMZZZ ZZZ = Time zone 304 = CCYMMDDHHMMSSZZZ ZZZ = Time zone X03 = CCYMMDDHHMMZZZZZ (*) ZZZZZ = Time zone X04 = CCYMMDDHHMMSSZZZZZ (*) ZZZZZ = Time zone (*) EDIFICE code

**RFF REFERENCE**

Function: A segment specifying the buyer's ship from stock & debit claim number and other references, valid for the whole message.

Usage : R..3

Notes : It is required to specify the ship from stock & debit claim number.

If the credit and/or debit note number are given at detail level, they must not appear here.

Ref.	Rep.	Name		EDIFICE Utilisation
C506		M REFERENCE	M	
1153	an..3	M Reference qualifier	M	SSC = Ship from stock & debit claim number (*) CD = Credit note number Seller's assigned credit note number. DL = Debit note number Seller's assigned debit note number. (*) EDIFICE code
1154	an..35	C Reference number	R	
1156	an..6	C Line number	N	
4000	an..35	C Reference version number	N	

## NAD NAME AND ADDRESS

Function: A segment identifying the function and coded identification, name and address of a party involved.

Usage : R 2

Notes : It is advised that the party identification CO C082 be used. When CO C082 cannot be used it is recommended to use the structured name and address CO C080 through DE 3207 rather than the unstructured one CO C058.

Ref.	Rep.	Name		EDIFICE Utilisation
3035	an..3	M PARTY QUALIFIER	M	BY = Buyer SE = Seller
C082		C PARTY IDENTIFICATION DETAILS	A	
3039	an..35	M Party id. identification	M	
1131	an..3	C Code list qualifier	N	
3055	an..3	C Code list responsible agency, coded	R	9 = EAN (International Article Numbering association) 16 = DUNS (Dun & Bradstreet) 91 = Assigned by seller or seller's agent 92 = Assigned by buyer or buyer's agent
C058		C NAME AND ADDRESS	D	
3124	an..35	M Name and address line	M	
3124	an..35	C Name and address line	O	
3124	an..35	C Name and address line	O	
3124	an..35	C Name and address line	O	
3124	an..35	C Name and address line	O	
C080		C PARTY NAME	D	
3036	an..35	M Party name	M	
3036	an..35	C Party name	O	
3036	an..35	C Party name	O	
3036	an..35	C Party name	O	
3036	an..35	C Party name	O	
3045	an..3	C Party name format, coded	N	
C059		C STREET	D	
3042	an..35	M Street and number/p.o. box	M	
3042	an..35	C Street and number/p.o. box	O	
3042	an..35	C Street and number/p.o. box	O	
3042	an..35	C Street and number/p.o. box	O	
3164	an..35	C CITY NAME	D	
3229	an..9	C COUNTRY SUB-ENTITY IDENTIFICATION	D	
3251	an..9	C POSTCODE IDENTIFICATION	D	
3207	an..3	C COUNTRY, CODED	D	Use ISO 3166, 2 alpha code

**CUX CURRENCIES**

Function: A segment specifying the order currency.

Usage : R 1

Notes :

Ref.	Rep.	Name		EDIFICE Utilisation
C504		C CURRENCY DETAILS	R	2 = Reference currency Use ISO 4217, 3 alpha code 9 = Order currency Currency used between buyer and seller.
6347	an..3	M Currency details qualifier	M	
6345	an..3	C Currency, coded	R	
6343	an..3	C Currency qualifier	R	
6348	n..4	C Currency rate base	N	
C504		C CURRENCY DETAILS	N	
6347	an..3	M Currency details qualifier	N	
6345	an..3	C Currency, coded	N	
6343	an..3	C Currency qualifier	N	
6348	n..4	C Currency rate base	N	
5402	n..12	C RATE OF EXCHANGE	N	
6341	an..3	C CURRENCY MARKET EXCHANGE, CODED	N	

**SG1 LIN-PIA-QTY-PRI-STS-SG2**

**LIN LINE ITEM**

Function: A segment identifying a line item by its item number, and agreed to be the primary reference number between the buyer and seller.  
 The segment also carries a sequence number assigned to the line item within the message, and the action taken.

Usage : M1

Notes : This segment specifies whether the claim line item was accepted or not.

Ref.	Rep.	Name		EDIFICE Utilisation
1082	an..6	C LINE ITEM NUMBER	R	It is required to assign a number to the line items within a message. The number is assigned by the sender of the message. The first line item within a message will be numbered 1 and further line items will be incremented by 1 for each new line. 5 = Accepted without amendment 6 = Accepted with amendment 7 = Not accepted  Primary reference BP = Buyer's part number DI = Distributor's part number (*) EN = International Article Numbering Association (EAN) MF = Manufacturer's (producer's) article number SRV = EAN.UCC Global Trade Item Number UP = UPC (Universal product code) VP = Vendor's (seller's) part number (*) EDIFICE code  9 = EAN (International Article Numbering association) 89 = Assigned by distributor 90 = Assigned by manufacturer 91 = Assigned by seller or seller's agent 92 = Assigned by buyer or buyer's agent 113 = US, UCC (Uniform Code Council)
1229	an..3	C ACTION REQUEST/NOTIFICATION, CODED	R	
C212		C ITEM NUMBER IDENTIFICATION	R	
7140	an..35	C Item number	R	
7143	an..3	C Item number type, coded	R	
1131	an..3	C Code list qualifier	N	
3055	an..3	C Code list responsible agency, coded	R	
C829		C SUB-LINE INFORMATION	N	
5495	an..3	C Sub-line indicator, coded	N	
1082	an..6	C Line item number	N	
1222	n..2	C CONFIGURATION LEVEL	N	
7083	an..3	C CONFIGURATION, CODED	N	

**SG1 LIN-PIA-QTY-PRI-STS-SG2****PIA ADDITIONAL PRODUCT ID**

Function: A segment providing additional identification numbers for the line item.

Usage : D..7

Notes : The 5 internal repetitions of CO C212 may be used, but EDIFICE recommends to only use the first occurrence.

Ref.	Rep.	Name		EDIFICE Utilisation
4347	an..3	M PRODUCT ID. FUNCTION QUALIFIER	M	1 = Additional identification  BP = Buyer's part number CV = Customs article number DI = Distributor's part number (*) EN = International Article Numbering association (EAN) MF = Manufacturer's (producer's) article number SRV = EAN.UCC Global Trade Item Number UP = UPC (Universal product code) VP = Vendor's (seller's) part number (* ) EDIFICE code
C212		M ITEM NUMBER IDENTIFICATION	M	
7140	an..35	C Item number	R	
7143	an..3	C Item number type, coded	R	
1131	an..3	C Code list qualifier	N	
3055	an..3	C Code list responsible agency, coded	R	
C212		C ITEM NUMBER IDENTIFICATION	O	
7140	an..35	C Item number	R	
7143	an..3	C Item number type, coded	R	
1131	an..3	C Code list qualifier	N	
3055	an..3	C Code list responsible agency, coded	R	
C212		C ITEM NUMBER IDENTIFICATION	O	As for first CO C212
7140	an..35	C Item number	R	
7143	an..3	C Item number type, coded	R	
1131	an..3	C Code list qualifier	N	
3055	an..3	C Code list responsible agency, coded	R	
C212		C ITEM NUMBER IDENTIFICATION	O	As for first CO C212
7140	an..35	C Item number	R	
7143	an..3	C Item number type, coded	R	
1131	an..3	C Code list qualifier	N	
3055	an..3	C Code list responsible agency, coded	R	
C212		C ITEM NUMBER IDENTIFICATION	O	As for first CO C212
7140	an..35	C Item number	R	
7143	an..3	C Item number type, coded	R	
1131	an..3	C Code list qualifier	N	
3055	an..3	C Code list responsible agency, coded	R	

**SG1 LIN-PIA-QTY-PRI-STS-SG2**

**QTY QUANTITY**

Function: A segment specifying the credited or debited quantity for the line item.

Usage : D1

Notes : An invoice from the buyer to the end-customer results in a credited quantity in the response.  
 A credit note from the buyer to the end-customer results in a debited quantity in the response.

Ref.	Rep.	Name	EDIFICE Utilisation	
C186		M QUANTITY DETAILS	M	
6063	an..3	M Quantity qualifier	M	QCR = Quantity credited (*) Credit to be made to buyer QDB = Quantity debited (*) Debit to be made to buyer (*) EDIFICE code
6060	n..15	M Quantity	M	
6411	an..3	C Measure unit qualifier	R	Use the following codes from UN/ECE Recommendation no.20, Codes for Units of Measurement: CLT = centilitre CMT = centimetre GRM = gram KGM = kilogram KMT = kilometre (*) LTR = litre MGM = milligram MMT = millimetre MTK = square metre MTQ = cubic metre MTR = metre PCE = piece (*) (*) EDIFICE code, not included in UN/ECE Recommendation No. 20 Other codes should be previously agreed between trading partners.

**SG1 LIN-PIA-QTY-PRI-STS-SG2**

**PRI PRICE DETAILS**

Function: A segment specifying the line item price, and qualifying information.

Usage : D2

Notes :

Ref.	Rep.	Name		EDIFICE Utilisation
C509		C PRICE INFORMATION	R	
5125	an..3	M Price qualifier	M	AAA = Calculation net
5118	n..15	C Price	R	
5375	an..3	C Price type, coded	R	CA = Catalogue Stocking price used between the buyer and seller. NBP = New buy price (*) Re-negotiated buy price between the buyer and seller. (*) EDIFICE code
5387	an..3	C Price type qualifier	N	
5284	n..9	C Unit price basis	R	
6411	an..3	C Measure unit qualifier	R	Use the following codes from UN/ECE Recommendation no.20, Codes for Units of Measurement: CLT = centilitre CMT = centimetre GRM = gram KGM = kilogram KMT = kilometre (*) LTR = litre MGM = milligram MMT = millimetre MTK = square metre MTQ = cubic metre MTR = metre PCE = piece (*) (*) EDIFICE code, not included in UN/ECE Recommendation No. 20 Other codes should be previously agreed between trading partners.
5213	an..3	C SUB-LINE PRICE CHANGE, CODED	N	

**SG1 LIN-PIA-QTY-PRI-STS-SG2**

**STS STATUS**

Function: A segment identifying the reason for the line item rejection.

Usage : D..20

Notes : Several reject reason codes can be specified for one rejected line item.

Ref.	Rep.	Name		EDIFICE Utilisation
C601		C STATUS TYPE	R	
9015	an..3	M Status type, coded	M	T = Trade (*) (* EDIFICE code
1131	an..3	C Code list qualifier	N	
3055	an..3	C Code list responsible agency, coded	N	
C555		C STATUS EVENT	N	
9011	an..3	M Status event, coded	N	
1131	an..3	C Code list qualifier	N	
3055	an..3	C Code list responsible agency, coded	N	
9010	an..35	C Status event	N	
C556		C STATUS REASON	R	
9013	an..3	M Status reason, coded	M	AAA = Invalid authorisation number (*) AAB = Authorisation expired (*) AAC = Product not on authorisation(*) AAD = Invalid ship quantity (*) AAE = Invalid end-customer code (*) AAF = Invalid ship date (*) Invoice or Credit note date AAG = Duplicate claim (*) AAH = Quantity fulfilled (*) AAI = Resale-at-cost higher than disti-cost (*) AAJ = Invalid distributor cost (*) AAK = Invalid resale-to-trade (*) AAL = Invalid resale-at-cost (*) AAM = Authorisation on hold (*) AAN = Below minimum claim quantity or price level (*) AAO = Invalid authorisation line number reference (*) AAP = Invalid currency code for resale-at-cost and DC (*) AAQ = Invalid currency for resale-to-trade(*) AAR = Invalid invoice (*) AXX = Other reject code (*) (* EDIFICE code
1131	an..3	C Code list qualifier	N	
3055	an..3	C Code list responsible agency, coded	N	
9012	an..35	C Status reason	N	
C556		C STATUS REASON	D	As for first CO C556
9013	an..3	M Status reason, coded	M	
1131	an..3	C Code list qualifier	N	
3055	an..3	C Code list responsible agency, coded	N	
9012	an..35	C Status reason	N	
C556		C STATUS REASON	D	As for first CO C556
9013	an..3	M Status reason, coded	M	
1131	an..3	C Code list qualifier	N	
3055	an..3	C Code list responsible agency, coded	N	
9012	an..35	C Status reason	N	
C556		C STATUS REASON	D	As for first CO C556
9013	an..3	M Status reason, coded	M	
1131	an..3	C Code list qualifier	N	
3055	an..3	C Code list responsible agency, coded	N	
9012	an..35	C Status reason	N	

Ref.	Rep.	Name	EDIFICE Utilisation	
C556		C STATUS REASON	D	As for first CO C556
9013	an..3	M Status reason, coded	M	
1131	an..3	C Code list qualifier	N	
3055	an..3	C Code list responsible agency, coded	N	
9012	an..35	C Status reason	N	

**SG2 RFF-DTM****RFF REFERENCE**

Function: A segment specifying the line item reference number, and other relevant references.

Usage : M1

Notes : It is required to send an RFF segment specifying a line item reference number.  
If the credit note number and/or debit note number are given at header level, they should not appear here.

Ref.	Rep.	Name		EDIFICE Utilisation
C506		M REFERENCE	M	
1153	an..3	M Reference qualifier	M	AGO = Sender's reference to the original message Invoice or credit note number specified by the buyer. DE 1154 = (R) DE 1156 = (O) AU = Authorization to meet competition No. DE 1154 = (R) DE 1156 = (O) CD = Credit note number Seller's assigned credit note number. DE 1154 = (R) DE 1156 = (O) DL = Debit note number Seller's assigned debit note number. DE 1154 = (R) DE 1156 = (O) LI = Line item reference number Claim line item reference number. DE 1154 = (N) DE 1156 = (R)
1154	an..35	C Reference number	D	See DE 1153
1156	an..6	C Line number	D	See DE 1153
4000	an..35	C Reference version number	N	

**SG2 RFF-DTM**

**DTM DATE/TIME/PERIOD**

Function: A segment specifying the date/time of the reference document.

Usage : 01

Notes :

Ref.	Rep.	Name		EDIFICE Utilisation
C507		M DATE/TIME/PERIOD	M	
2005	an..3	M Date/time/period qualifier	M	137 = Document/message date/time Date when the document is created
2380	an..35	C Date/time/period	R	
2379	an..3	C Date/time/period format qualifier	R	102 = CCYMMDD 203 = CCYMMDDHHMM 303 = CCYMMDDHHMMZZZ ZZZ = Time zone 304 = CCYMMDDHHMMSSZZZ ZZZ = Time zone X03 = CCYMMDDHHMMZZZZZ (*) ZZZZ = Time zone X04 = CCYMMDDHHMMSSZZZZZ (*) ZZZZ = Time zone (*) EDIFICE code

**UNT MESSAGE TRAILER**

Function: A service segment ending, and providing information for checking the completeness of a message.

Usage : M1

Notes : Refer to EDIFICE Utilisation of the UN/EDIFACT Service Segments, Issue EDSS04.

Ref.	Rep.	Name	EDIFICE Utilisation	
0074	n..6	M NUMBER OF SEGMENTS IN A MESSAGE	M	Count of all segments in the message, UNH and UNT included.
0062	an..14	M MESSAGE REFERENCE NUMBER	M	Must be the same reference number as in DE 0062 of the UNH segment of this message.

## EXAMPLES

Line item 1: accepted without amendment  
Line item 2: not accepted

UNB+UNOC:3+234567891:1:X+198765432:1:X+971201:1924+66+X:AA+SSDRSP++1+X+1'  
UNH+1+SSDRSP:D:97A:ED:EDSR03'  
BGM+SSR+110123+9'  
DTM+137:200000502:102'  
RFF+SSC:4938'  
NAD+BY+BUYERCODE::92'  
NAD+SE+SELLERCODE::91'  
CUX+2:DEM:9'  
LIN+1+5+PRODCODE1:VP::91'  
QTY+QCR:1000:PCE'  
PRI+AAA:1.80:CA::1:PCE'  
PRI+AAA:1.00:NBP::1:PCE'  
RFF+LI::25'  
RFF+AGO:INVNUMBER1'  
DTM+137:20000420:102'  
LIN+2+7+PRODCODE2:VP::91'  
STS+T++AAB+AAH'  
RFF+LI::26'  
RFF+AGO:INVNUMBER1'  
DTM+137:20000420:102'  
UNT+20+1'  
UNZ+1+66'